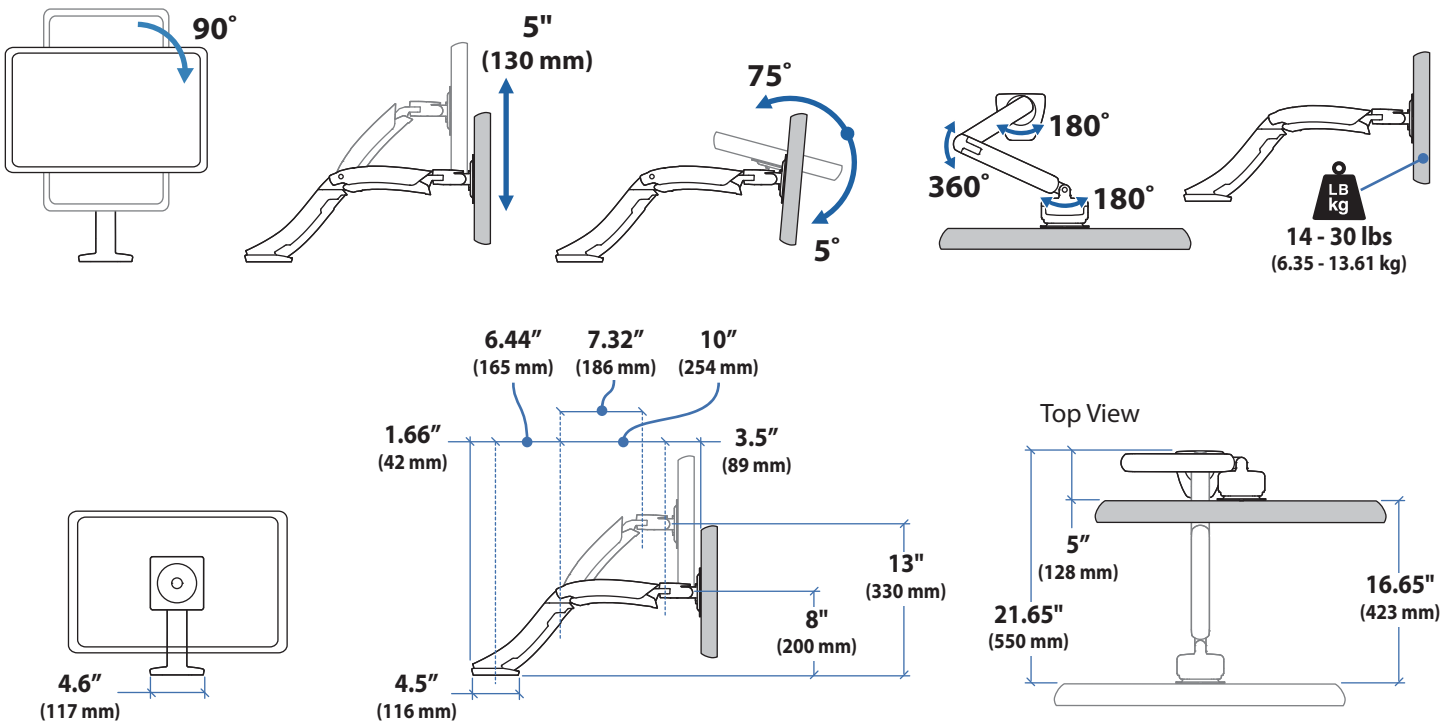
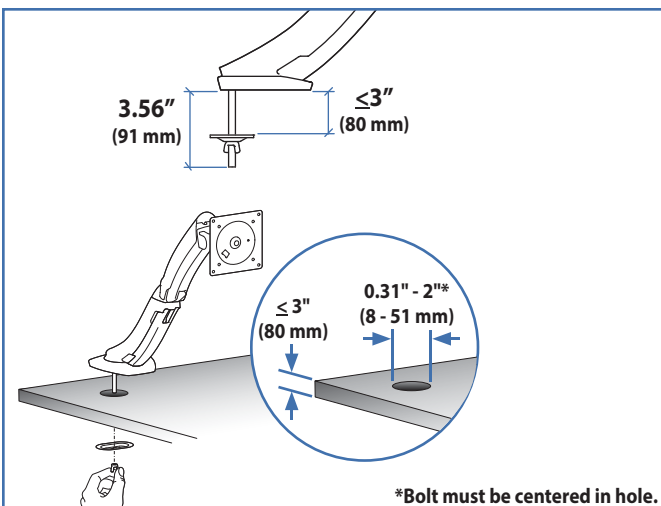


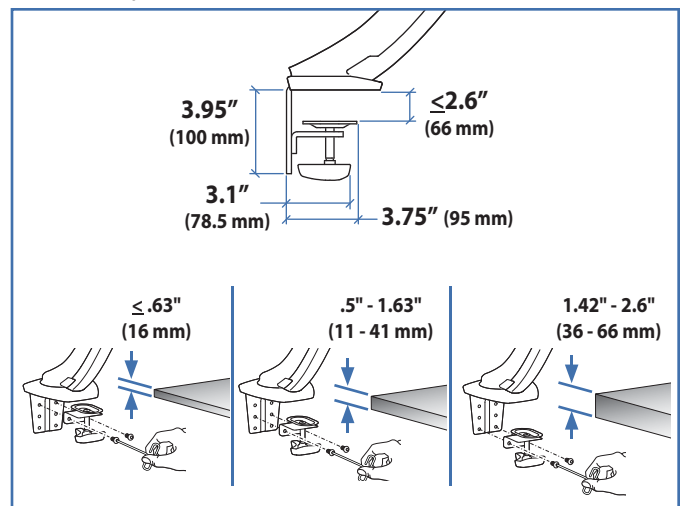
## Desk Mount LCD Arm



### Grommet Mount



### Desk Clamp



© 2014 Ergotron, Inc. rev. 12/17/2018 DIM-081 Content is subject to change without notification.

#### Americas Sales and Corporate Headquarters

St. Paul, MN USA  
 (800) 888-8458  
 +1-651-681-7600  
 www.ergotron.com  
 sales@ergotron.com

#### EMEA Sales

Amersfoort, The Netherlands  
 +31 33 45 45 600  
 www.ergotron.com  
 info.eu@ergotron.com

#### APAC Sales

Tokyo, Japan  
 www.ergotron.com  
 japansupport@ergotron.com

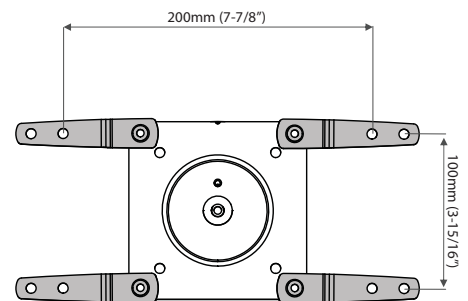
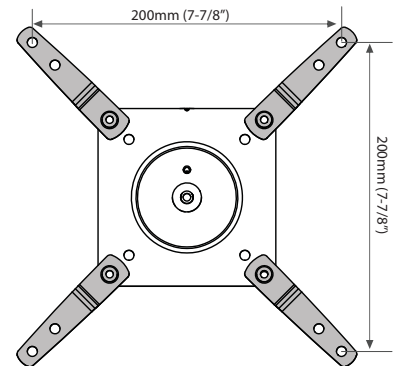
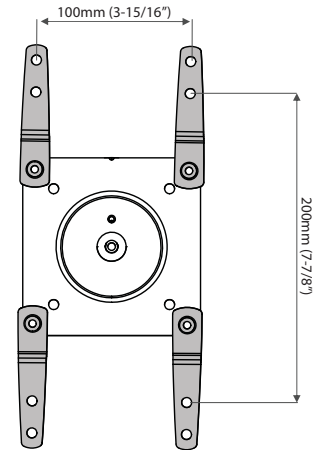
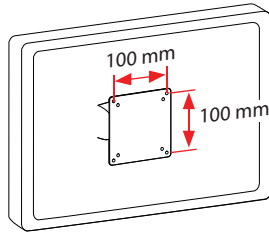
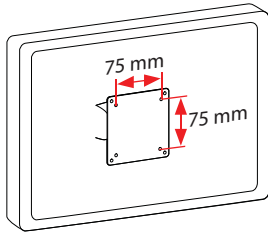
#### Worldwide OEM Sales

www.ergotron.com  
 info.oem@ergotron.com

ergotron®

## Desk Mount LCD Arm

### VESA Mounts



© 2014 Ergotron, Inc. rev. 12/17/2018 DIM-081 Content is subject to change without notification.

**Americas Sales and Corporate Headquarters**

St. Paul, MN USA  
 (800) 888-8458  
 +1-651-681-7600  
 www.ergotron.com  
 sales@ergotron.com

**EMEA Sales**

Amersfoort, The Netherlands  
 +31 33 45 45 600  
 www.ergotron.com  
 info.eu@ergotron.com

**APAC Sales**

Tokyo, Japan  
 www.ergotron.com  
 japansupport@ergotron.com

**Worldwide OEM Sales**

www.ergotron.com  
 info.oem@ergotron.com

