



ergotron®

StyleView® Lean WOW™ Cart



Highlights

- Features a small footprint and light feel so you can complete documentation in any location
- Adjusts 16" (40,6 cm) in height so you're comfortable sitting or standing
- Minimum worksurface height: 30.25" (76,8 cm); maximum worksurface height: 46.25" (117,5 cm)
- Supports displays up to 24", 6–16 lbs (2,7–7,3 kg) and provides 30 degrees of tilt and 360 degree rotation
- Monitor riser lifts your display — even an all-in-one — with 5" (12.7 cm) of additional adjustment
- Provides plenty of space for a keyboard, scanner and other small items you need on the large 23" x 20" (58,4 x 50,8 cm) worksurface
- Creates a personalized set-up with a t-slot channel interface on the cart's column that allows you to integrate your favorite accessories
- Add an optional power system to turn Lean WOW into a powered cart

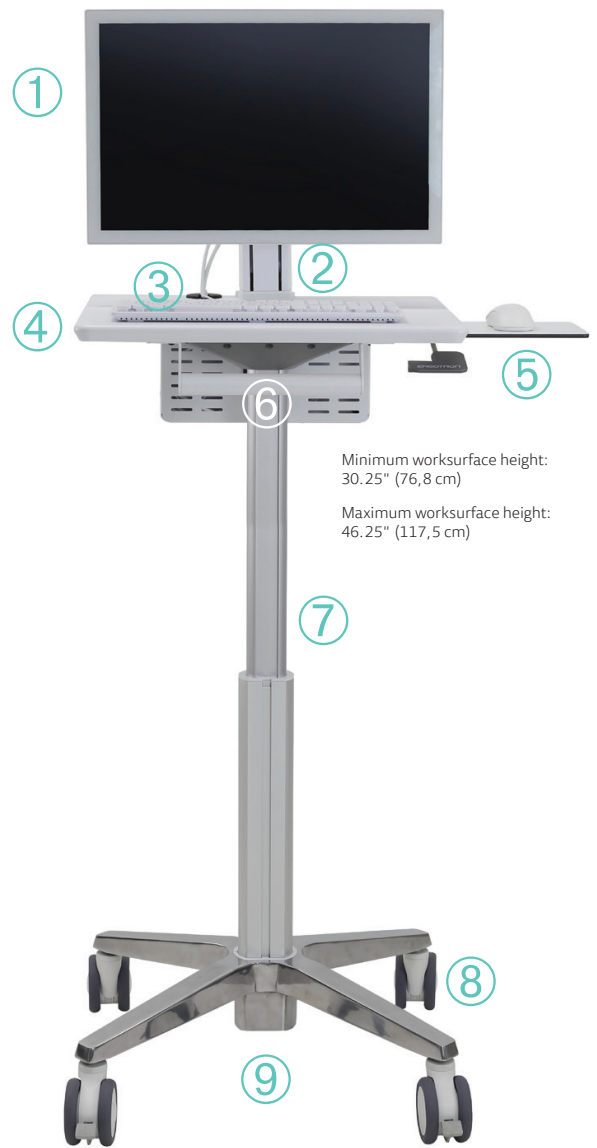
*Lightweight "Workstation On Wheels"—  
ideal for documentation efforts anywhere in the facility*

The Ergotron StyleView Lean WOW cart is an agile workstation-on-wheels for your display or all-in-one with a small footprint that fits into tight spaces. The height-adjustable column moves 16" (40,6 cm) so you can work comfortably sitting or standing.

The monitor riser provides additional height adjustment for the display. Add the slide-out mouse shelf, comfortable handle, clean cable management and you have a lightweight cart that's ready for heavy duty use.



- ① Supports displays up to 24" and provides 30 degrees of tilt and 360° rotation
- ② Monitor riser supports displays 6–16 lbs (2,7–7,3 kg) and provides an additional 5" (12.7 cm) of height adjustment. Riser attaches at the back of the worksurface so you have plenty of work area in front
- ③ Enclosed cubby beneath the worksurface provides storage for power adapters, cables and even an ultra-small form factor computer. Dimensions: 14.6" W x 10" H x 3.5" D (37,2 x 25,4 x 8,9 cm)
- ④ Spacious worksurface: 23" x 20" (58,4 x 50,8 cm)
- ⑤ Pull-out mouse shelf extends to the left or right side. Mouse surface measures 7.5" x 7.5" (19 x 19 cm) when fully extended, and slides under the worksurface when not in use
- ⑥ Comfortable, rounded handle tucks under the worksurface so it's easily accessible yet out of the way
- ⑦ T-slot channel interface on the column allows you to integrate accessories
- ⑧ Includes four 4" (10,2 cm) casters; two are locking
- ⑨ Features a small base footprint just 24" x 22" (61 x 56 cm)



Minimum worksurface height:  
30.25" (76,8 cm)

Maximum worksurface height:  
46.25" (117,5 cm)



Spacious worksurface:  
23" x 20" (58,4 x 50,8 cm)



Pull-out mouse shelf extends left or right side; slides under the worksurface when not in use



Enclosed cubby beneath the worksurface for storage of power adapters, cables and even an ultra-small form factor computer



Monitor riser attaches at the back of the worksurface



Sturdy 4" casters glide easily across many flooring types

<b>Part number (color)</b>	SV10-1300-0 (white and aluminum)
<b>Product includes</b>	Worksurface with cord pass-through, pull-out mouse shelf measures 7.5" square (19 cm), handle, monitor riser with 5" (12,7 cm) height range, cable/brick storage compartment with tooled access, storage hook, four 4" (10,2 cm) casters; 2 locking
<b>Typical LCD size</b>	≤ 24" (VESA MIS-D)
<b>Worksurface dimensions</b>	23" x 20" (58,4 x 50,8 cm)
<b>Base footprint dimensions</b>	24" x 22" (61 x 56 cm)
<b>Lift</b>	16" (40,6 cm); Height adjustment range: 30.25–46.25" (76,8–117,5 cm)
<b>Cart weight</b>	58 lbs (26,3 kg)
<b>Shipping dimensions</b>	30.5" x 33.6" x 55.6" (77,5 x 85,3 x 141,2 cm)
<b>Shipping weight</b>	99 lbs (44,9 kg)
<b>Warranty</b>	7 years on cart; 5 years on monitor riser



The height-adjustable column moves 16" (40,6 cm) so you work comfortably sitting or standing

© 2019 Ergotron, Inc. rev. 01/01/2019-EA Literature made in the U.S.A.  
Ergotron devices are not intended to cure, treat, mitigate or prevent any disease. StyleView is a registered trademark of Ergotron in the U.S.A. and China. **Content is subject to change without notification**

**Americas Sales and Corporate Headquarters**

St. Paul, MN USA  
(800) 888-8458  
+1-651-681-7600  
www.ergotron.com  
sales@ergotron.com

**EMEA Sales**

Amersfoort, The Netherlands  
+31 33 45 45 600  
www.ergotron.com  
info.eu@ergotron.com

**APAC Sales**

Tokyo, Japan  
www.ergotron.com  
apaccustomerservice@ergotron.com

**Worldwide OEM Sales**

www.ergotron.com  
info.oem@ergotron.com

