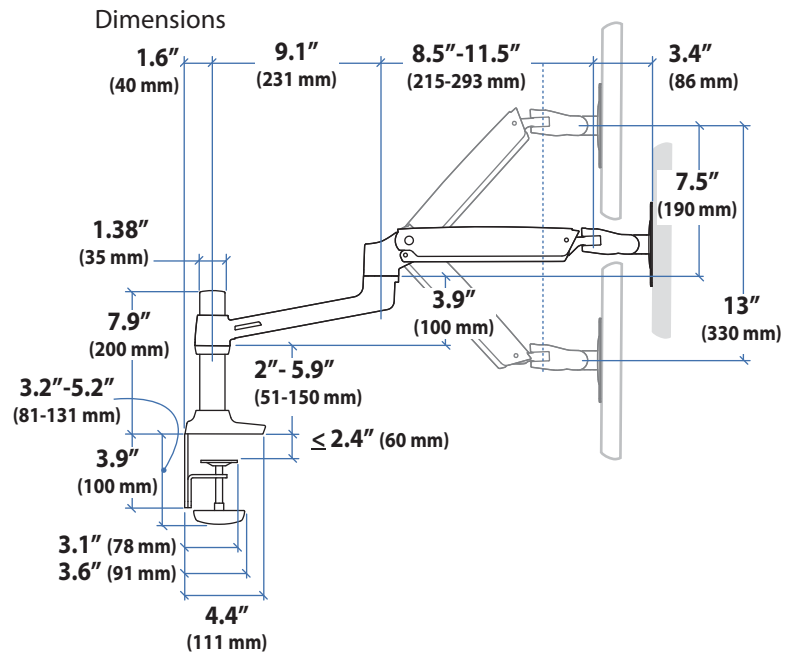
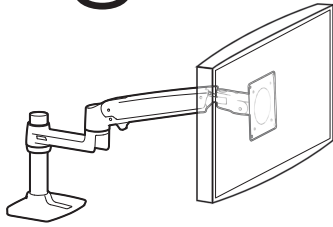
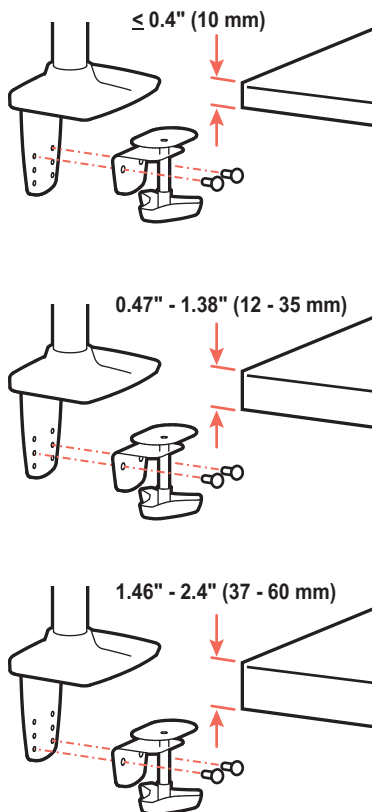


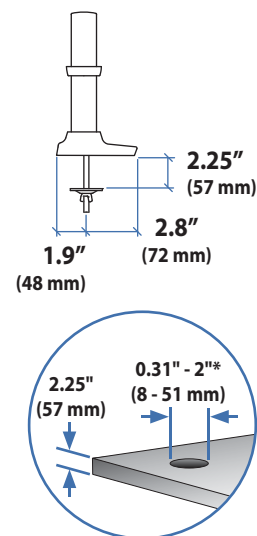
# LX Desk Mount LCD Arm



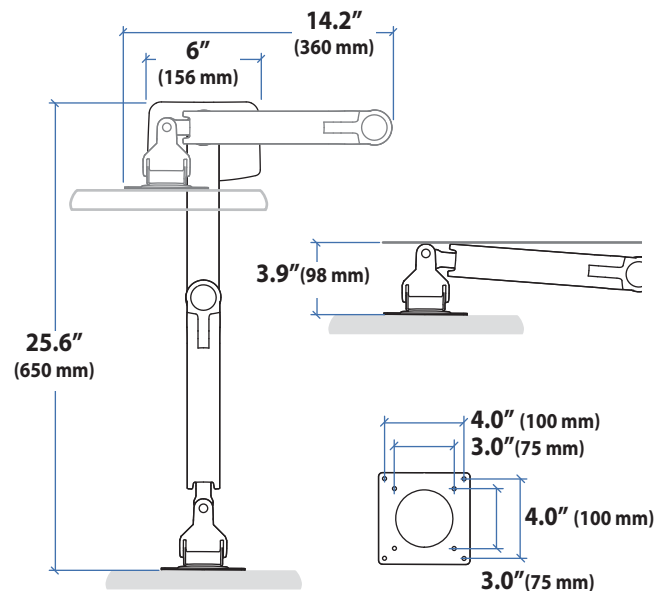
**Desk Clamp**



**Grommet Mount**



\*Bolt must be centered in hole.



**Americas Sales and Corporate Headquarter**

St. Paul, MN USA  
 (800) 888-8458  
 +1-651-681-7600  
 www.ergotron.com  
 sales@ergotron.com

**EMEA Sales**

Amersfoort, The Netherlands  
 +31 33 45 45 600  
 www.ergotron.com  
 info.eu@ergotron.com

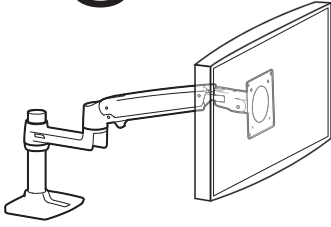
**APAC Sales**

Tokyo, Japan  
 www.ergotron.com  
 apaccustomerservice@ergotron.com

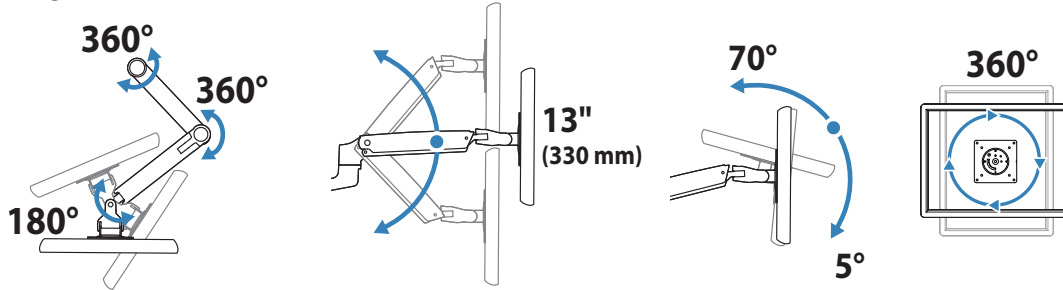
**Worldwide OEM Sales**

www.ergotron.com  
 info.oem@ergotron.com

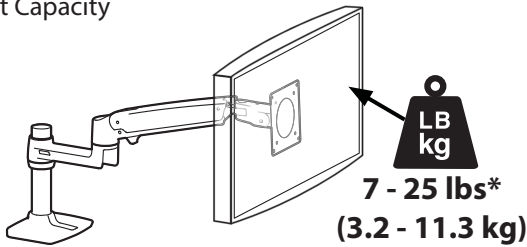
# LX Desk Mount LCD Arm



## Range of Motion



## Weight Capacity



Monitor depth greater than 2.5" (64 mm) may diminish capacity. Call Ergotron for more information.

**\* The lower most range of motion for vertical lift is decreased up to 4.5" (114 mm) when arm is adjusted to hold over 20lbs (9 kgs).**

