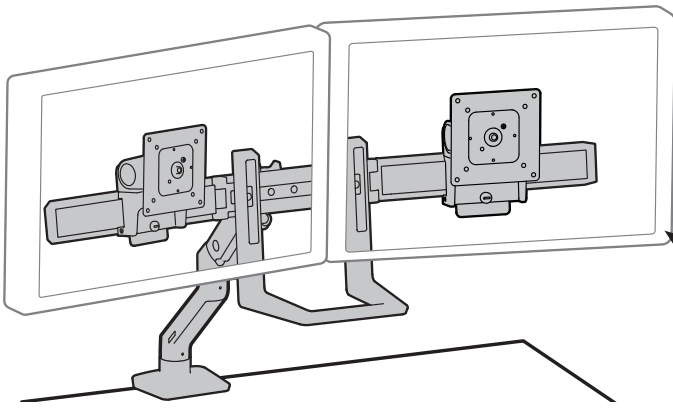
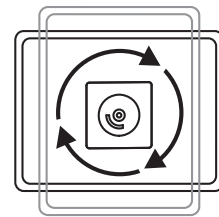
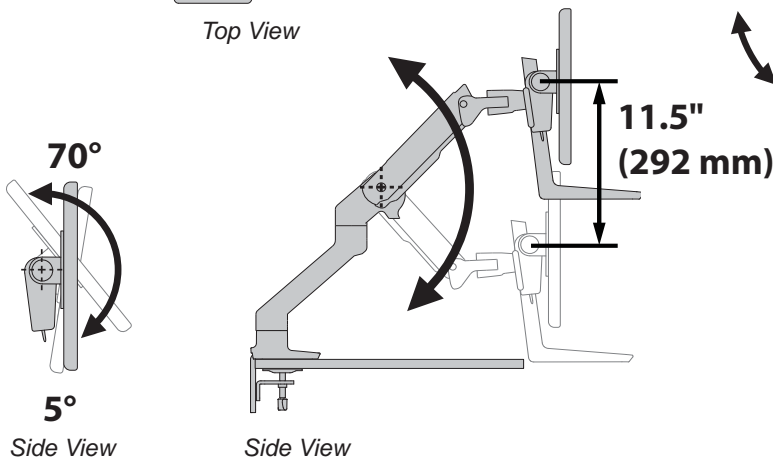
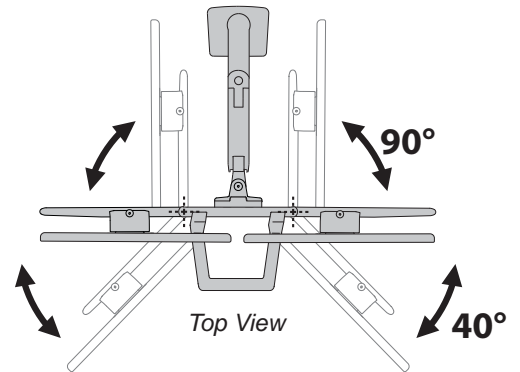
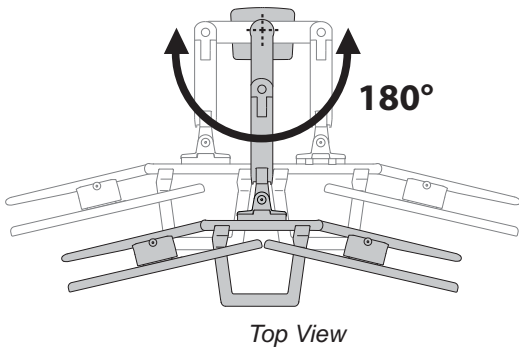
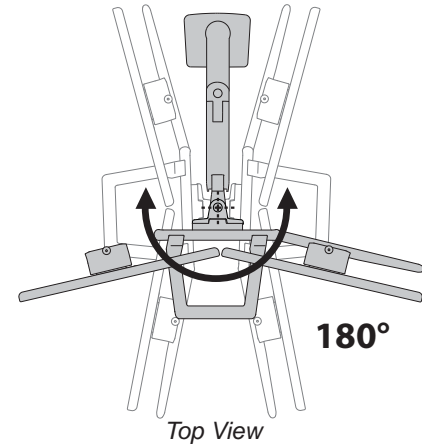
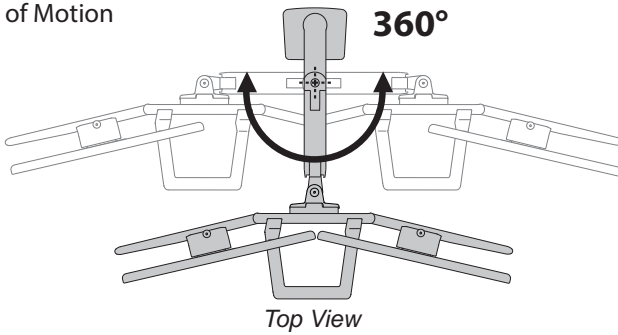


Dimensional Illustrations  
Ergotron® HX Dual Monitor Arm



5 lbs. - 17.5 lbs.  
(2.3 kg - 7.9 kg)  
per monitor

Range of Motion



Portrait/Landscape Rotation

© 2016 Ergotron, Inc. rev. 12/17/2018 DIM-HXDualDesk Content is subject to change without notification

**Americas Sales and Corporate Headquarters**

St. Paul, MN USA  
(800) 888-8458  
+1-651-681-7600  
www.ergotron.com  
sales@ergotron.com

**EMEA Sales**

Amersfoort, The Netherlands  
+31 33 45 45 600  
www.ergotron.com  
info.eu@ergotron.com

**APAC Sales**

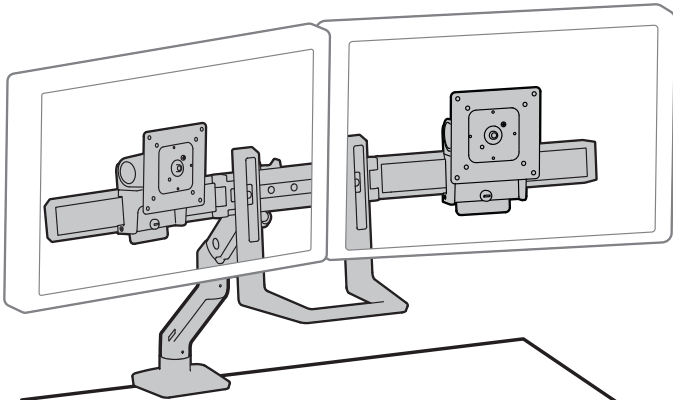
Tokyo, Japan  
www.ergotron.com  
japansupport@ergotron.com

**Worldwide OEM Sales**

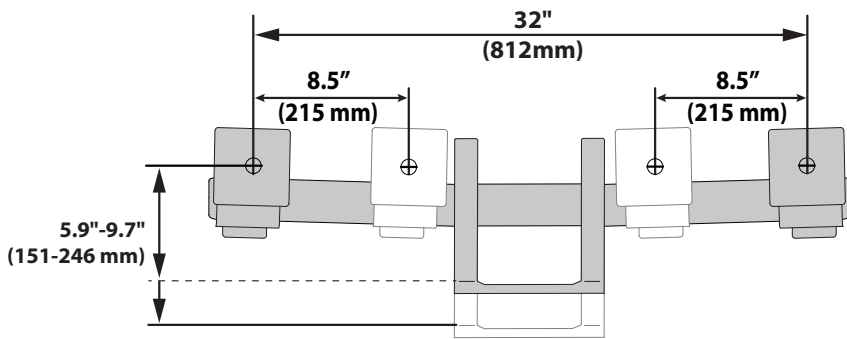
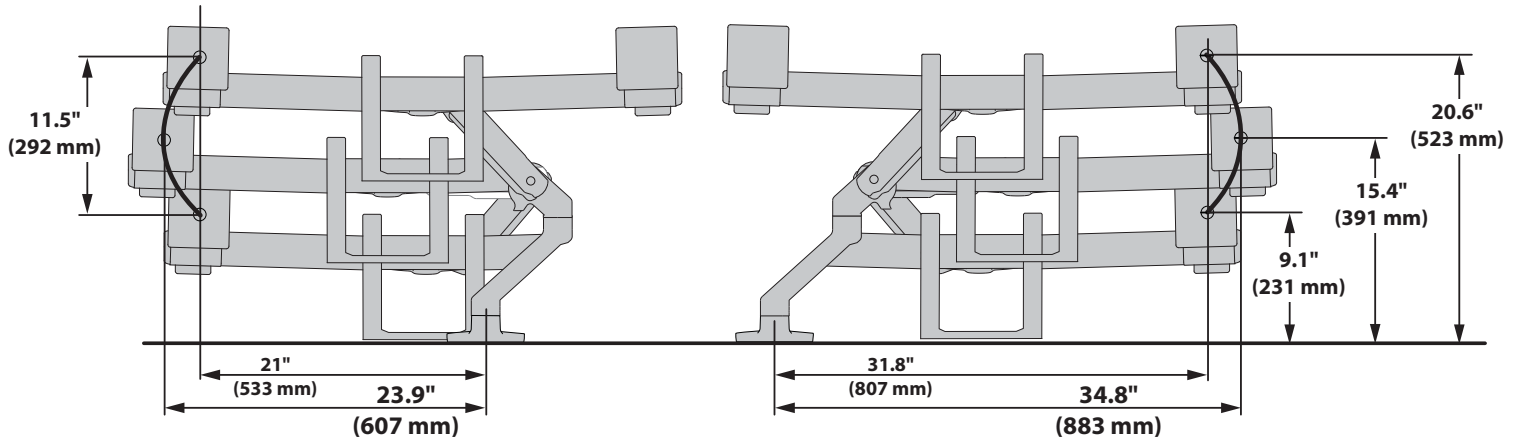
www.ergotron.com  
info.oem@ergotron.com

ergotron®

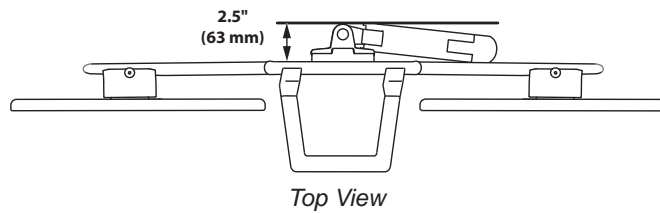
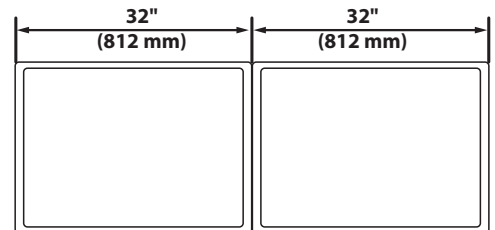
# Dimensional Illustrations Ergotron® HX Dual Monitor Arm



## Dimensions



## Max Monitor Size



© 2016 Ergotron, Inc. rev. 12/17/2018 DIM-HXDualDesk Content is subject to change without notification

### Americas Sales and Corporate Headquarters

St. Paul, MN USA  
(800) 888-8458  
+1-651-681-7600  
www.ergotron.com  
sales@ergotron.com

### EMEA Sales

Amersfoort, The Netherlands  
+31 33 45 45 600  
www.ergotron.com  
info.eu@ergotron.com

### APAC Sales

Tokyo, Japan  
www.ergotron.com  
japansupport@ergotron.com

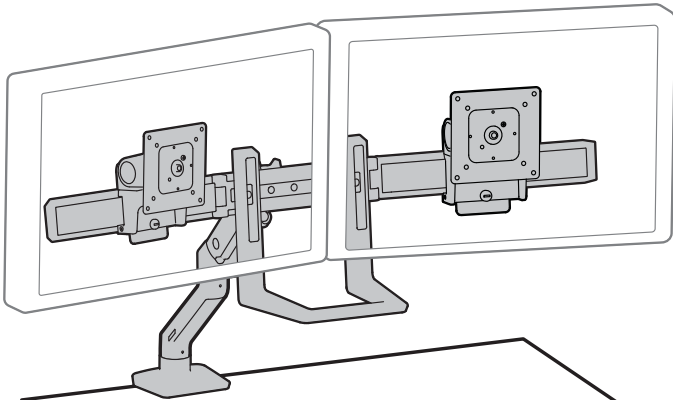
### Worldwide OEM Sales

www.ergotron.com  
info.oem@ergotron.com

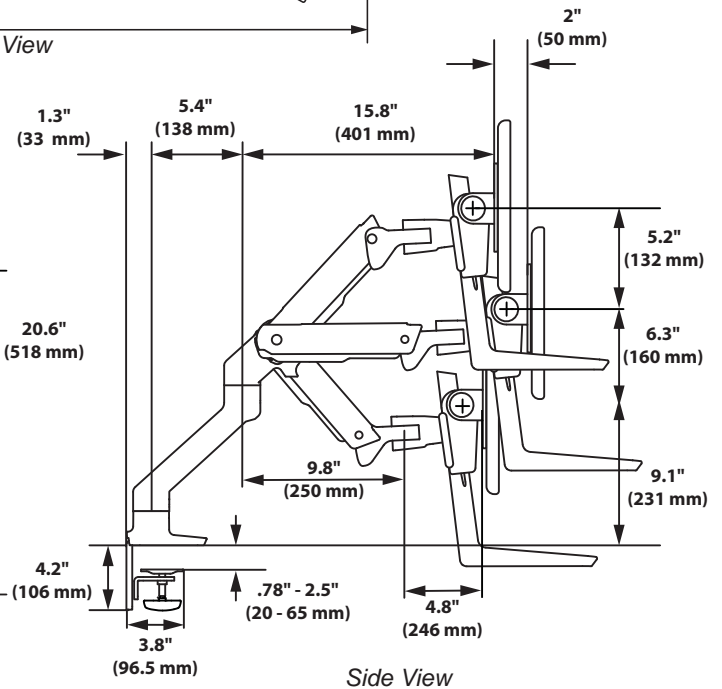
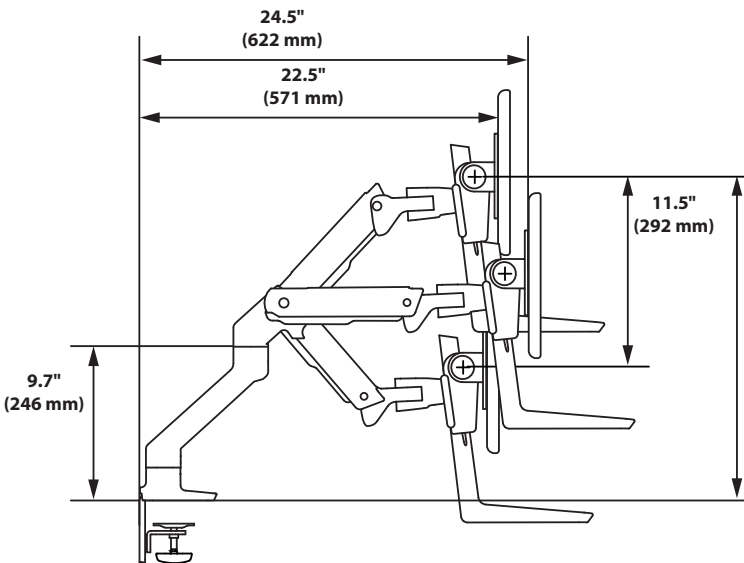
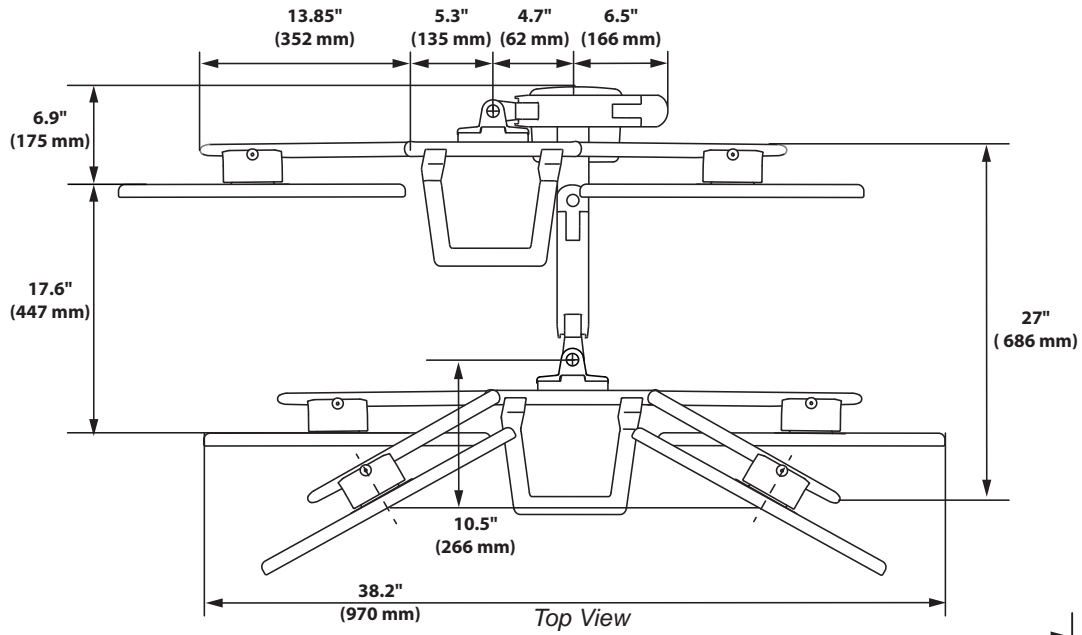
ergotron®

# Dimensional Illustrations

## Ergotron® HX Dual Monitor Arm



### Dimensions



© 2016 Ergotron, Inc. rev. 12/17/2018 DIM-HXDualDesk Content is subject to change without notification

#### Americas Sales and Corporate Headquarters

St. Paul, MN USA  
 (800) 888-8458  
 +1-651-681-7600  
 www.ergotron.com  
 sales@ergotron.com

#### EMEA Sales

Amersfoort, The Netherlands  
 +31 33 45 45 600  
 www.ergotron.com  
 info.eu@ergotron.com

#### APAC Sales

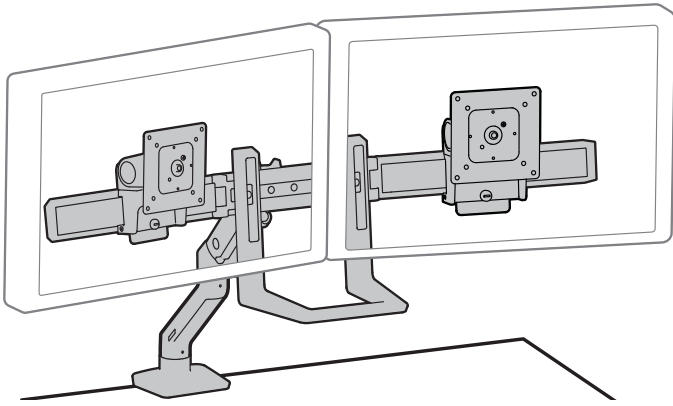
Tokyo, Japan  
 www.ergotron.com  
 japansupport@ergotron.com

#### Worldwide OEM Sales

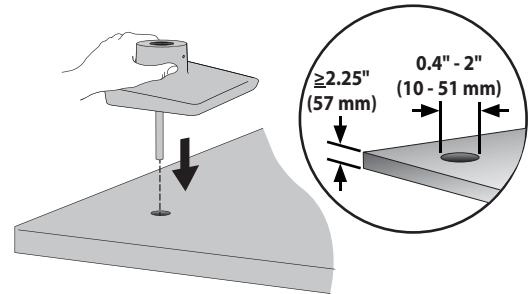
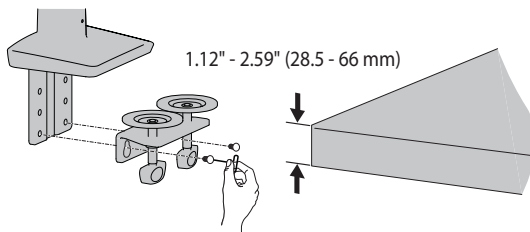
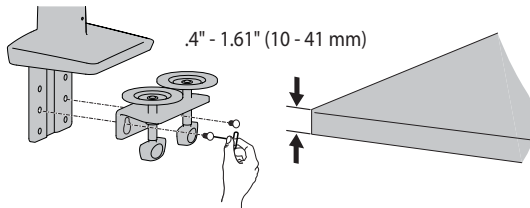
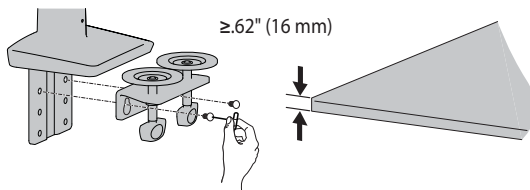
www.ergotron.com  
 info.oem@ergotron.com

# Dimensional Illustrations

## Ergotron® HX Dual Monitor Arm



### Dimensions



© 2016 Ergotron, Inc. rev. 12/17/2018 DIM-HXDualDesk Content is subject to change without notification

#### Americas Sales and Corporate Headquarters

St. Paul, MN USA  
(800) 888-8458  
+1-651-681-7600  
www.ergotron.com  
sales@ergotron.com

#### EMEA Sales

Amersfoort, The Netherlands  
+31 33 45 45 600  
www.ergotron.com  
info.eu@ergotron.com

#### APAC Sales

Tokyo, Japan  
www.ergotron.com  
japansupport@ergotron.com

#### Worldwide OEM Sales

www.ergotron.com  
info.oem@ergotron.com

ergotron®