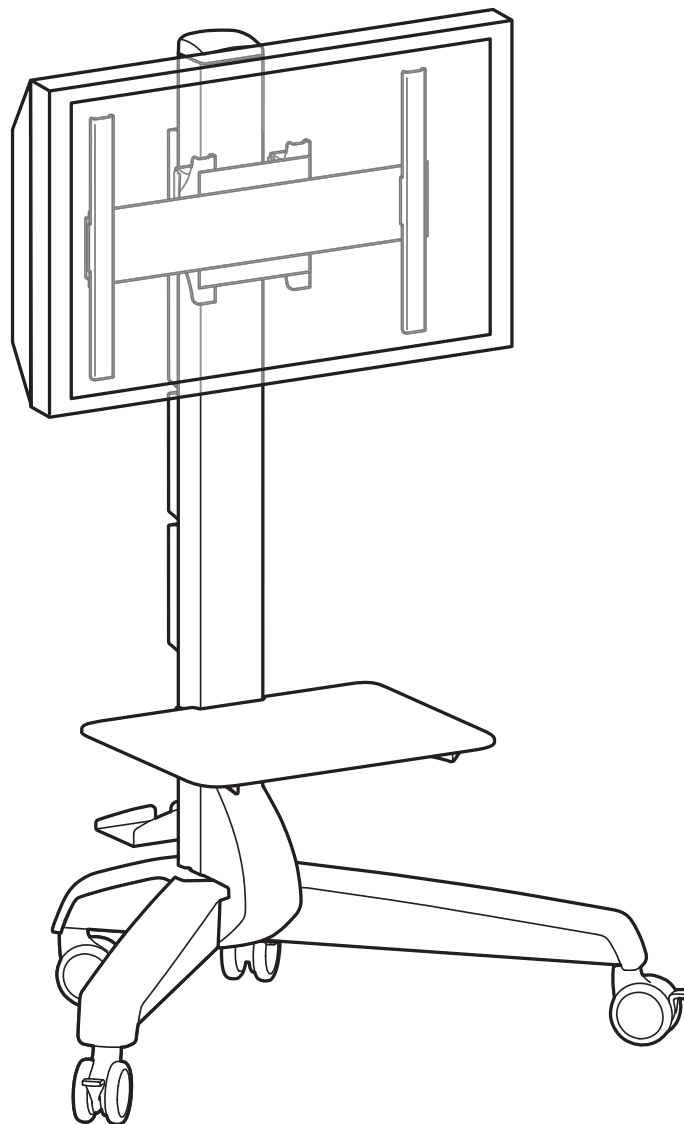


# ergotron®

---

## Neo-Flex™ Mobile Media Center, UHD with 90° Portrait/Landscape rotation

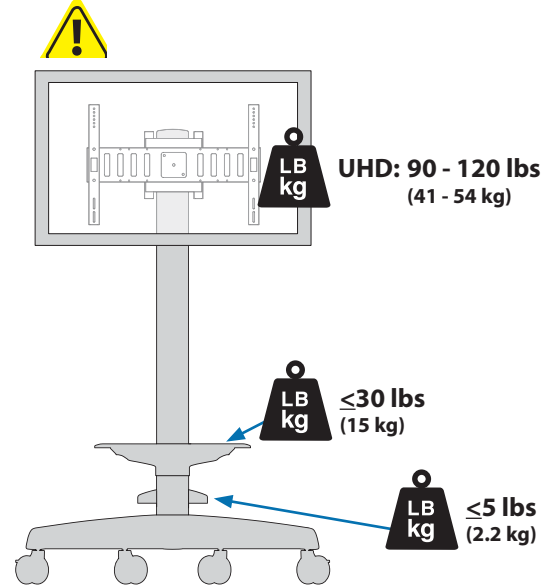
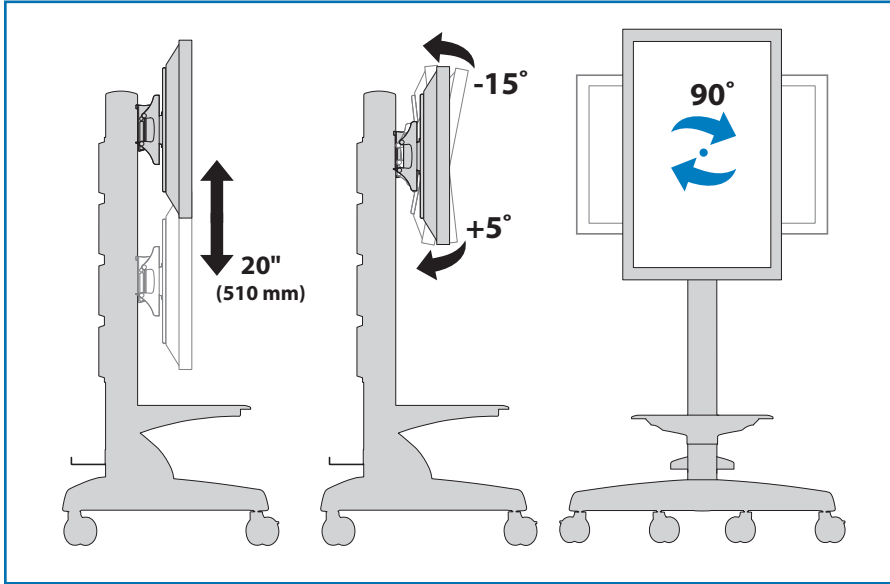


**JA** 最新のユーザー インストール ガイドは、[www.ergotron.com](http://www.ergotron.com) でご確認いただけます。  
**ZH** 若需最新的用户安装指南，请访问：[www.ergotron.com](http://www.ergotron.com)

日本語, 汉语

[www.ergotron.com](http://www.ergotron.com) | USA: 1-800-888-8458 | Europe: +31 (0)33-45 45 600 | China: 400-120-3051 | Japan: [japansupport@ergotron.com](mailto:japansupport@ergotron.com)

# 特長と仕様 特点和规格



## WARNING

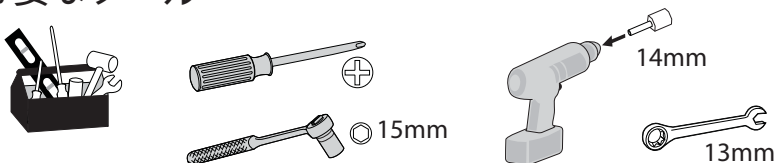
Stored Energy Hazard: The lift mechanism in the tower is under tension and will move up rapidly, on its own, as soon as attached equipment is removed. For this reason, DO NOT remove equipment or make adjustments to lift tension unless the front assembly has been moved to the highest position on the tower! Failure to follow this instruction may result in serious personal injury and/or equipment damage!

警告 蓄積エネルギーの危険性: タワーのリフト機構には張力がかかっており、付属していた器具が取り外される瞬間に高速で上に移動します。このため、前面の部品がタワーの最高位置にきていない場合は、器具を取り外したり、張力を調節して増加させないようにしてください。この指示に従わない場合、重篤な身体傷害および/または器具の破損の原因となることがあります。

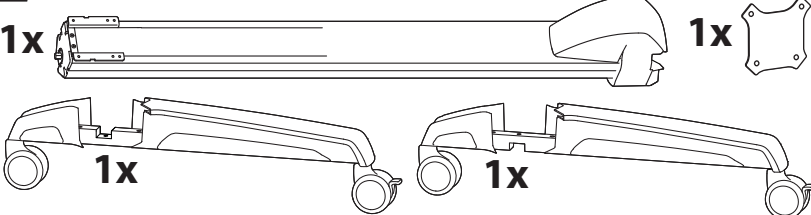


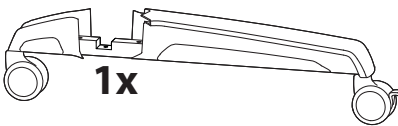
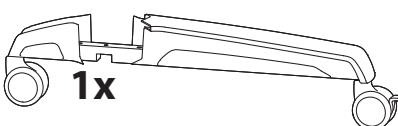
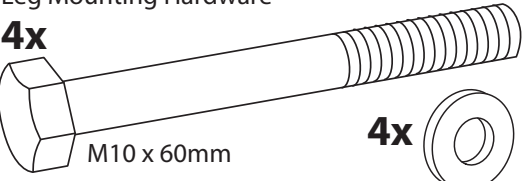
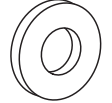
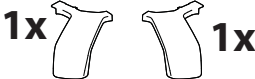



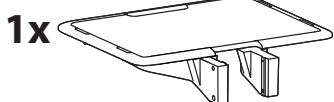
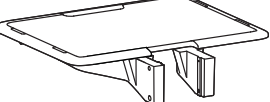


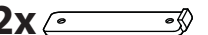
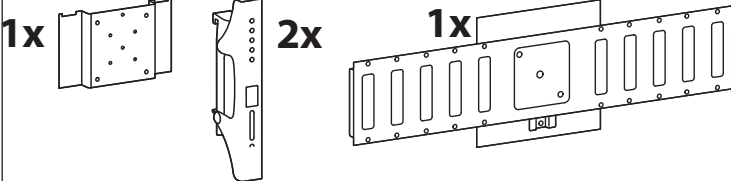
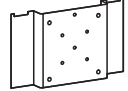
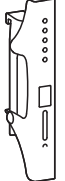
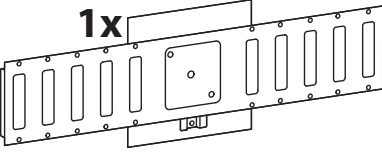



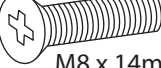

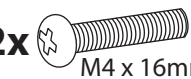




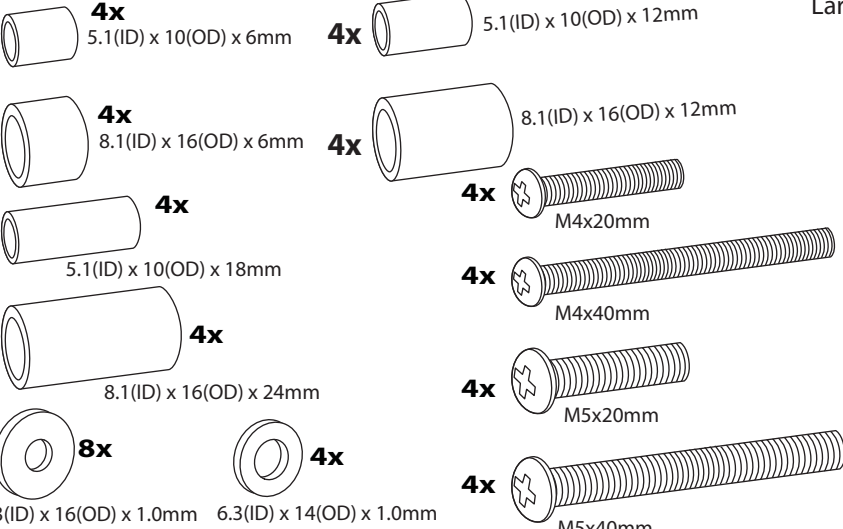
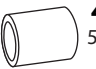




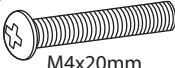




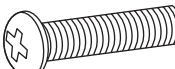
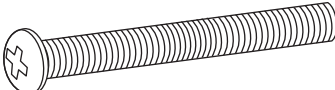
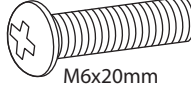
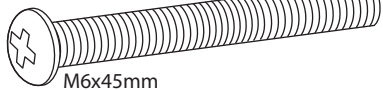
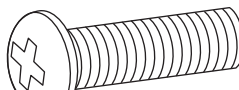
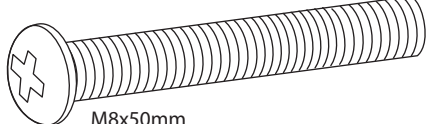



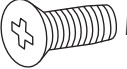










警告 储能危害: 支柱中の升降机构有张力并会在拆除所安装的设备后自行快速上升。因此, 在将前部装置移到支柱最顶端时, 不要拆除设备或调节升降张力。不遵守本规定可能导致严重的人身伤害和/或设备损坏!

경고 저장에너지 위험성: 타워의 리프트 기계장치는 장력을 받는 상태에 있으며, 장착 장비가 제거되자마자 바로 자체의 빠른 속도로 올라가게 됩니다. 이러한 이유로 전방 에셈블리가 타워의 가장 높은 지점으로 올라가기까지는 장비 제거나 리프트의 장력을 조정하지 마십시오! 이 안내를 따르지 않으면, 심각한 부상 및/또는 장비의 손상을 초래할 수 있습니다!

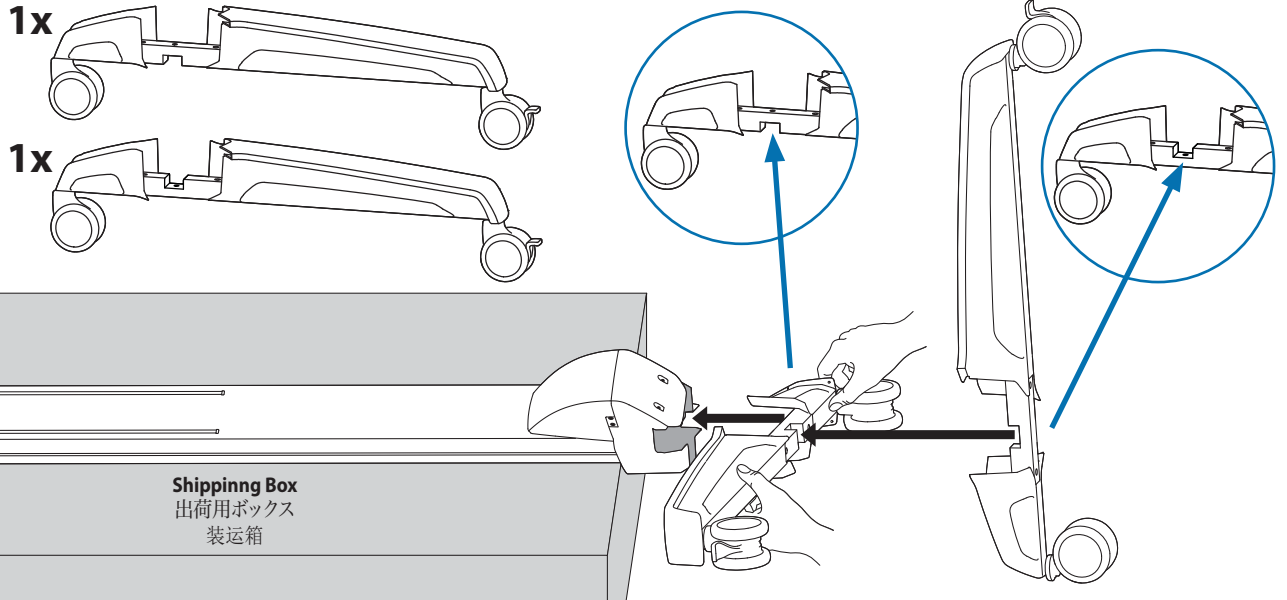
## 需要的工具 必要なツール



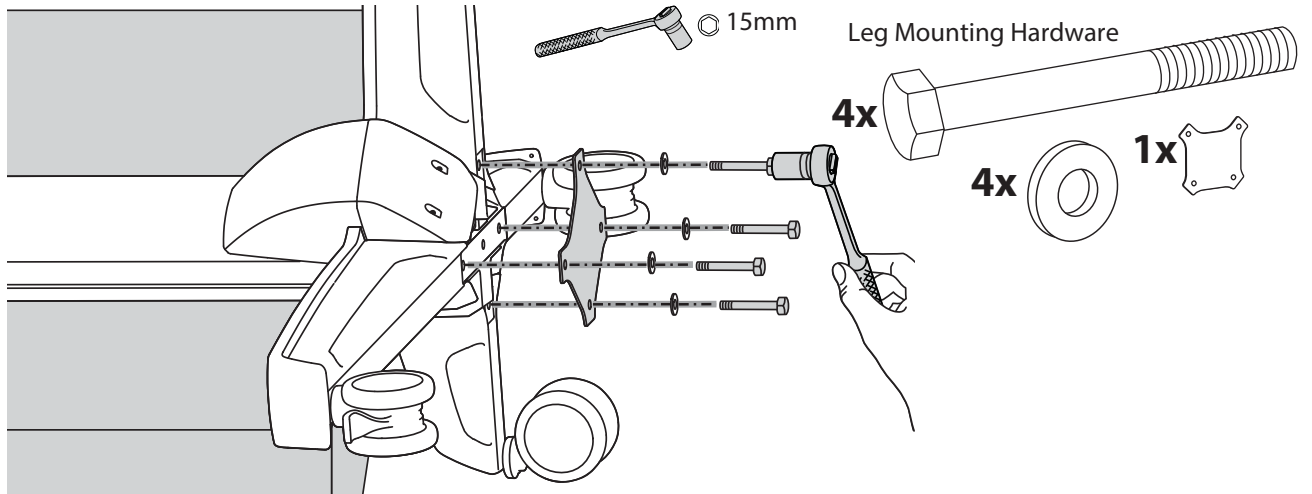


	A	B
1	 <p>1x  1x  1x  1x </p>	<p>Leg Mounting Hardware <b>4x</b>  M10 x 60mm <b>4x</b> </p>
2	 <p>1x  1x </p>	<p>Leg Cover Mounting Screws <b>8x</b>  M3.5 x 6mm</p>
3	 <p>1x </p>	<p>Shelf Mounting Hardware <b>8x</b>  <b>4x</b>  M3 x 37mm <b>2x</b> </p>
4	 <p>1x  2x  1x </p>	<p>TM Mounting Hardware <b>4x</b>  M6x8mm <b>2x</b>  <b>4x</b>  <b>4x</b>  M8 x 14mm <b>1x</b>  <b>2x</b>  M4 x 16mm</p>
5	 <p>2x </p>	<p>400mm Extension Hardware <b>4x</b>  <b>4x</b>  M5 x 16mm</p>
6	 <p>4x  5.1(ID) x 10(OD) x 6mm 4x  5.1(ID) x 10(OD) x 12mm 4x  8.1(ID) x 16(OD) x 6mm 4x  8.1(ID) x 16(OD) x 12mm 4x  5.1(ID) x 10(OD) x 18mm 4x  M4x20mm 4x  8.1(ID) x 16(OD) x 24mm 4x  M4x40mm 4x  5.3(ID) x 16(OD) x 1.0mm 4x  6.3(ID) x 14(OD) x 1.0mm 4x  M5x20mm 4x  M5x40mm</p>	<p>Large Display Cart Hardware <b>4x</b>  M6x20mm <b>4x</b>  M6x45mm <b>4x</b>  M8x25mm <b>4x</b>  M8x50mm</p>
7	 <p>1x </p>	<p>Power Strip Hardware <b>2x</b>  <b>2x</b>  M5x9mm</p>
8	 <p>4x </p>	<p>Cable Management Support Hardware <b>1x</b>  M5x8mm <b>1x</b>  <b>2x</b>  <b>2x</b> </p>
9	 <p>1x </p>	<p>Top Cap Hardware <b>1x</b>  <b>1x</b>  M5x8mm</p>

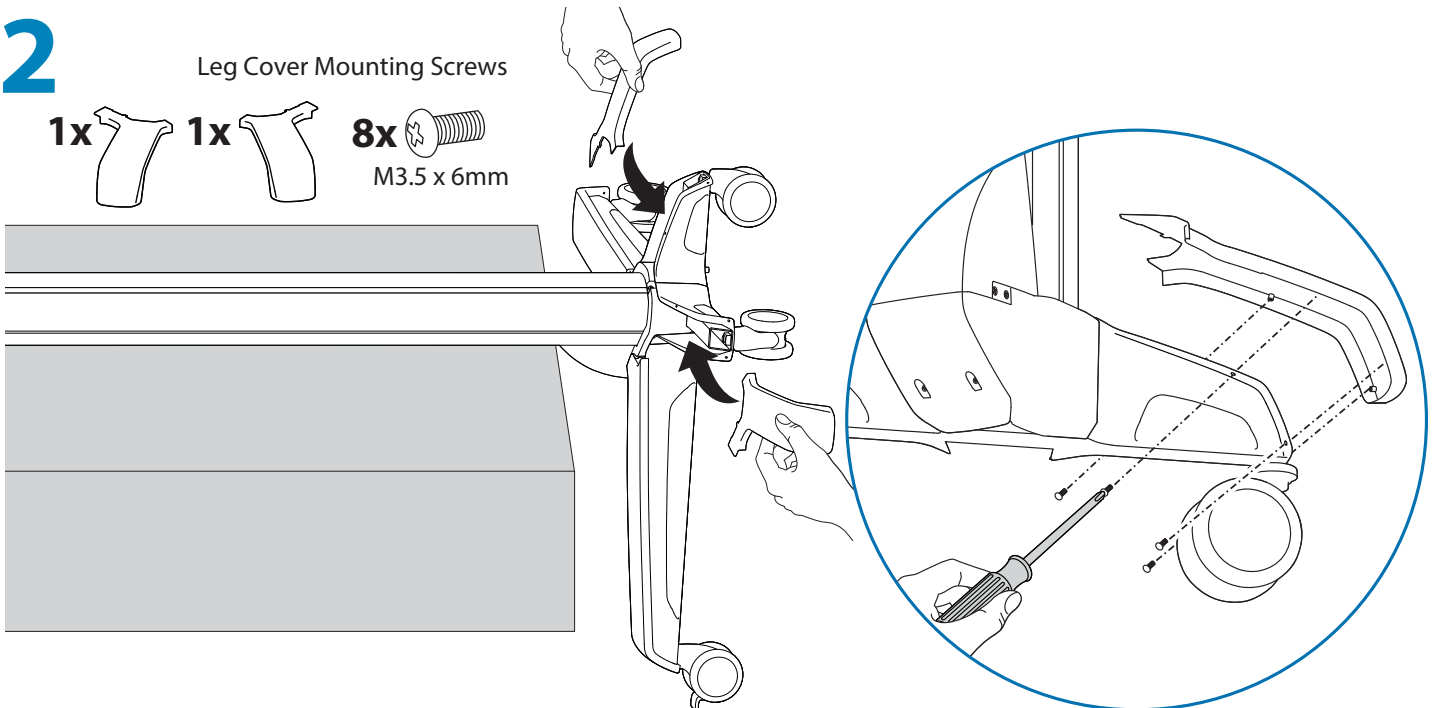
# 1 a



# b



# 2



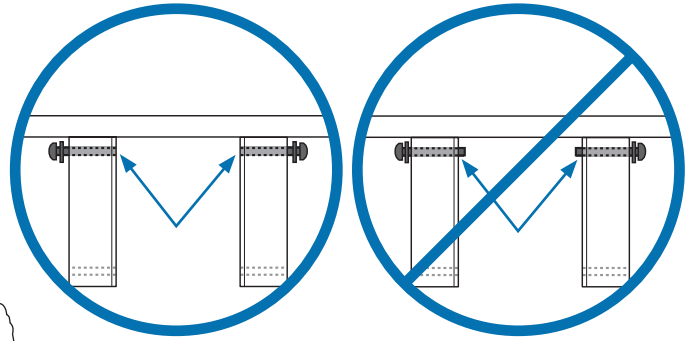
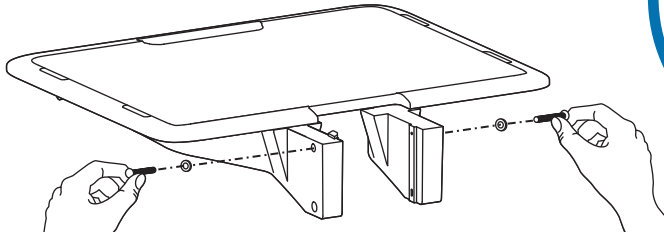
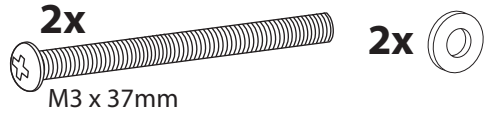
注意: 調節ネジは締めすぎないようにしてください。強く締め付けすぎると、器具が破損する原因となります。

小心: 不要过度拧紧固定器。过度拧紧可能会损坏设备。

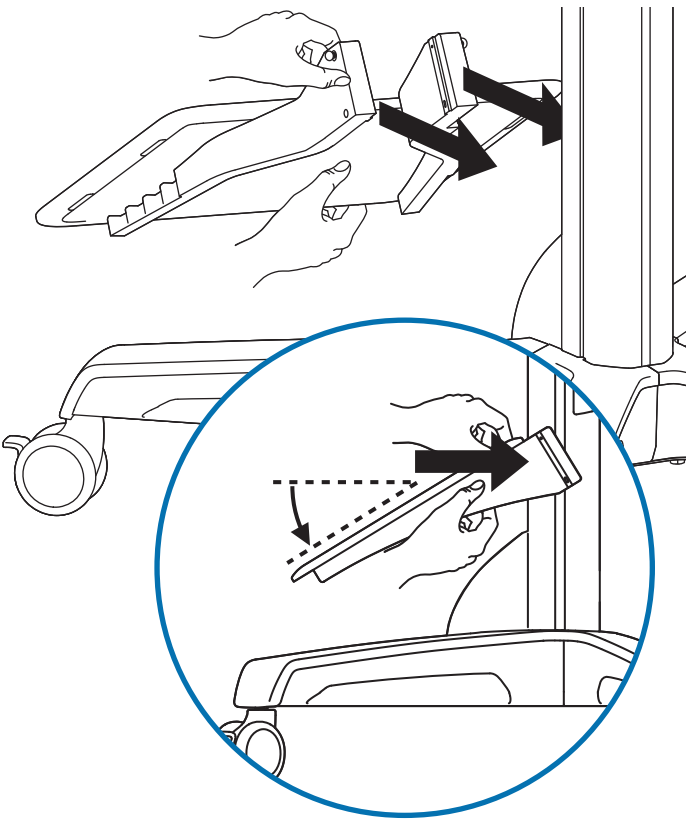
주의: 고정 장치를 너무 세게 조이지 마십시오. 너무 세게 조이면 장비가 손상될 수 있습니다.

# 3 a

Shelf Mounting Hardware

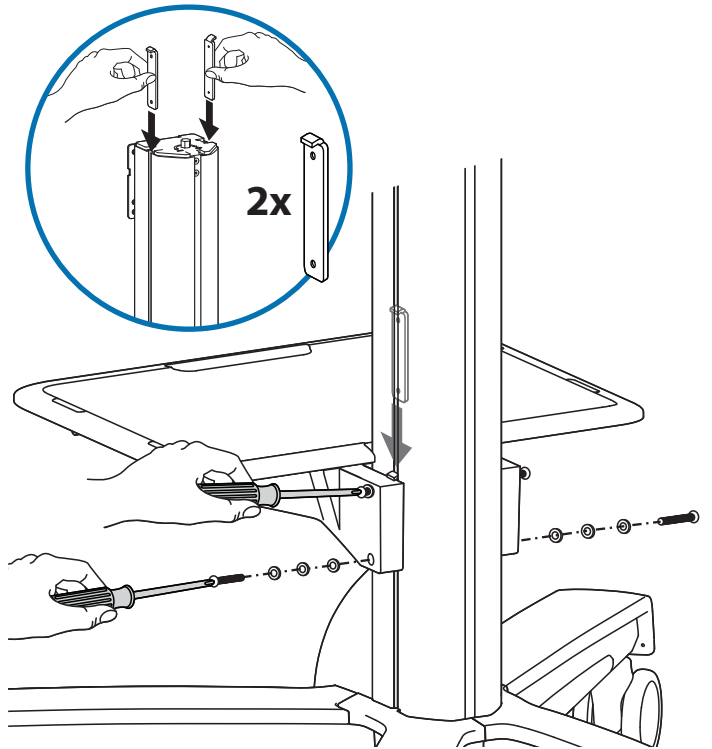
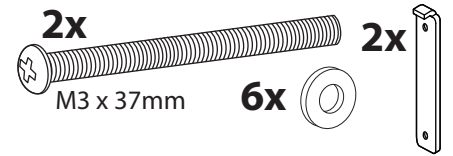


# b



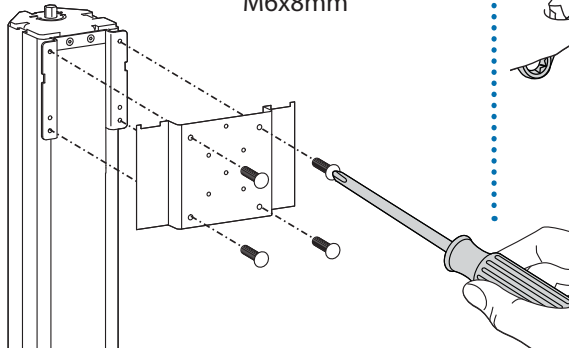
# c

Shelf Mounting Hardware



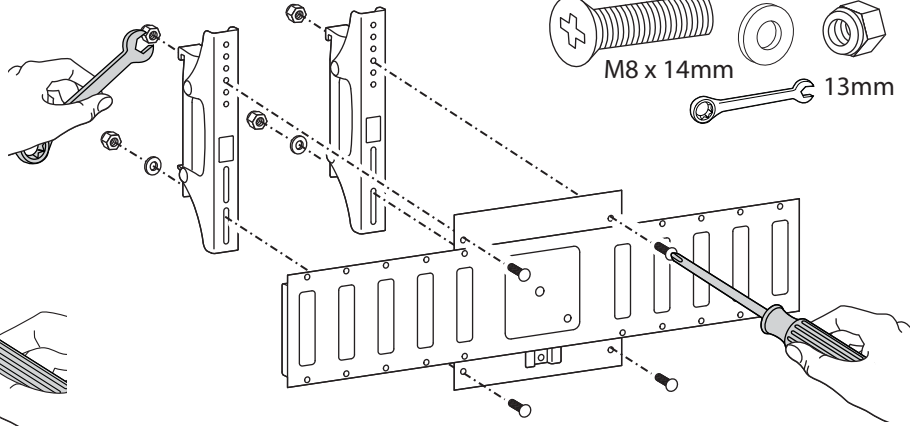
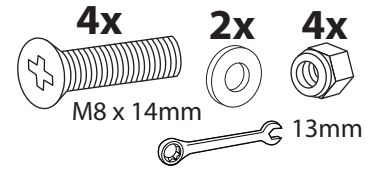
# 4a

TM Mounting Hardware

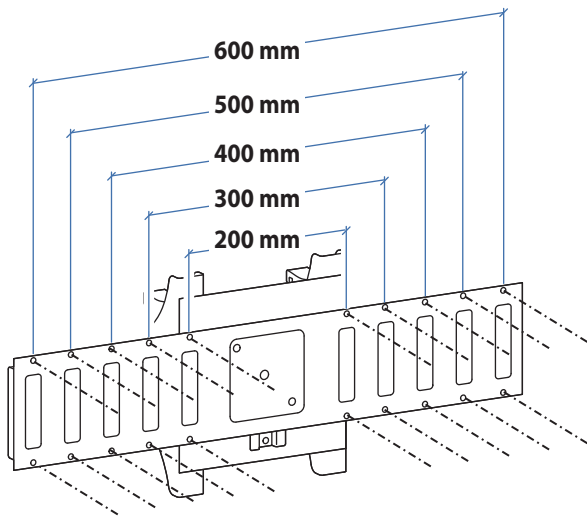
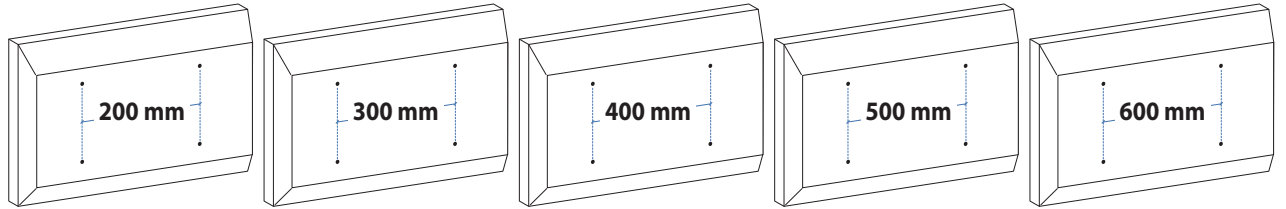


# b

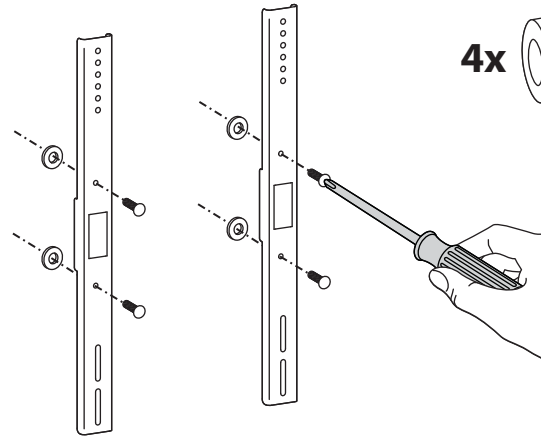
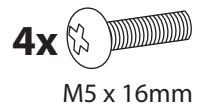
TM Mounting Hardware



# 5



400mm Extension Hardware

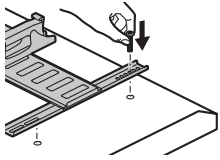
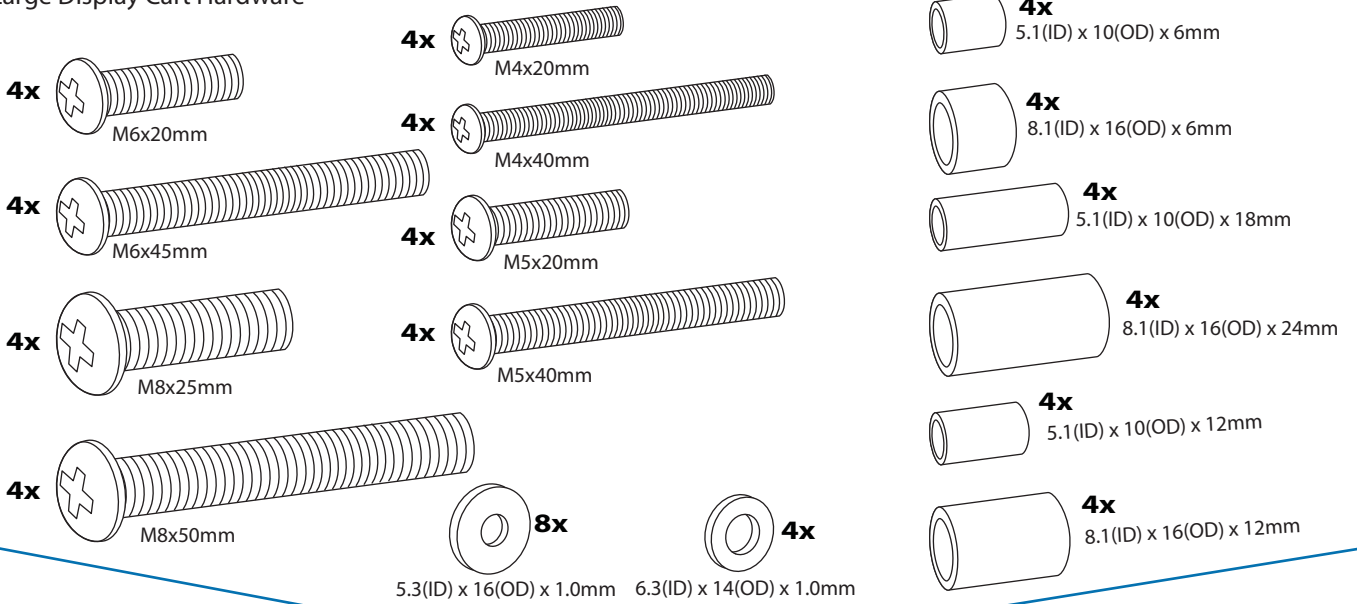


# 6

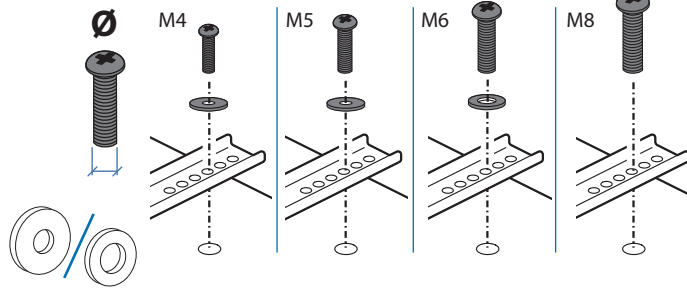
## FIND APPROPRIATE FASTENERS FOR YOUR DISPLAY:

ディスプレイ用に適切なファスナーを見つける  
为显示器找到合适的紧固件:

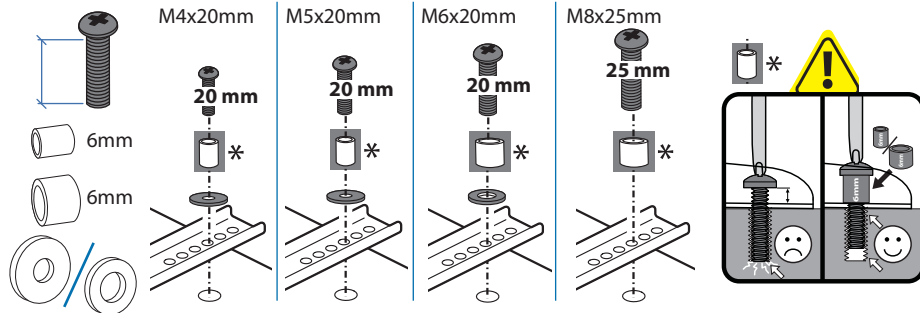
### Large Display Cart Hardware



**Screw Diameter**  
ネジの直径  
螺丝直径



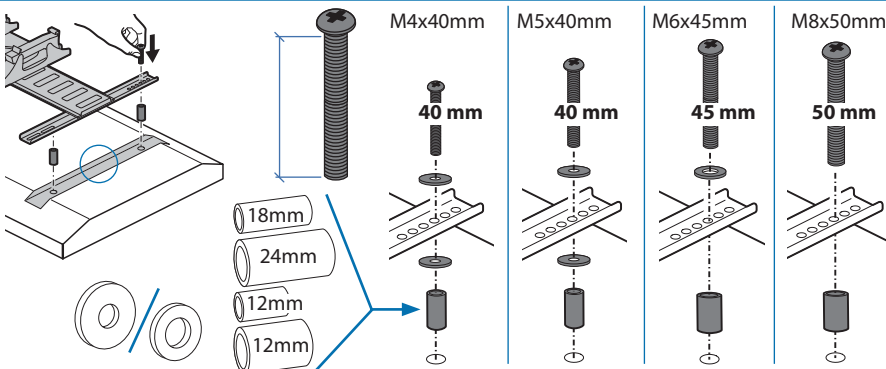
**Screw Length**  
ネジの長さ  
螺丝长度



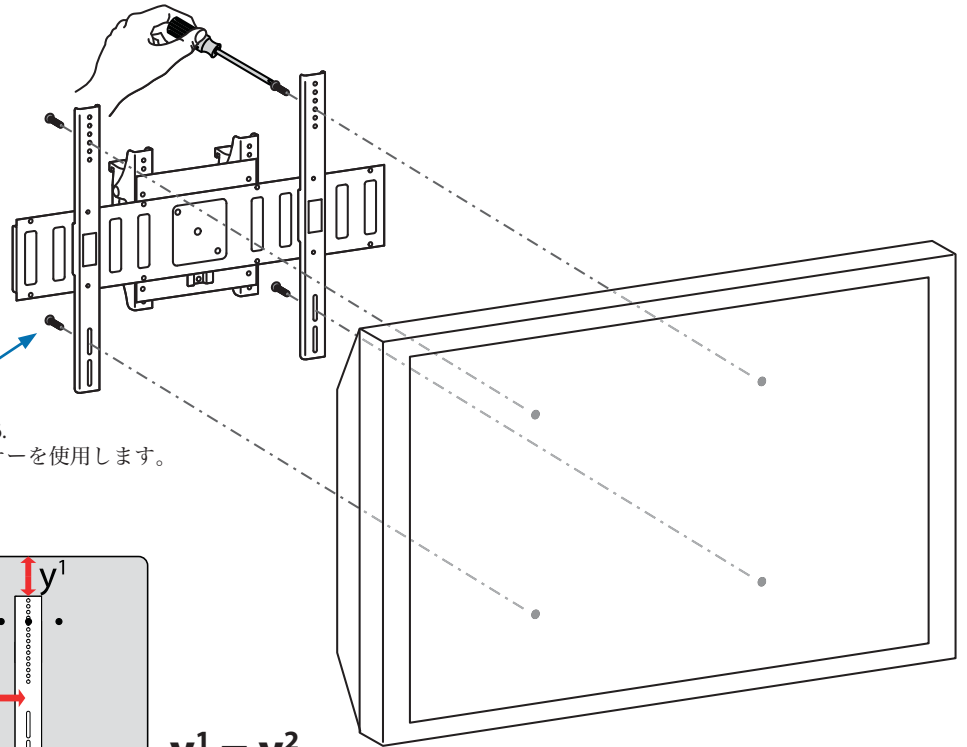
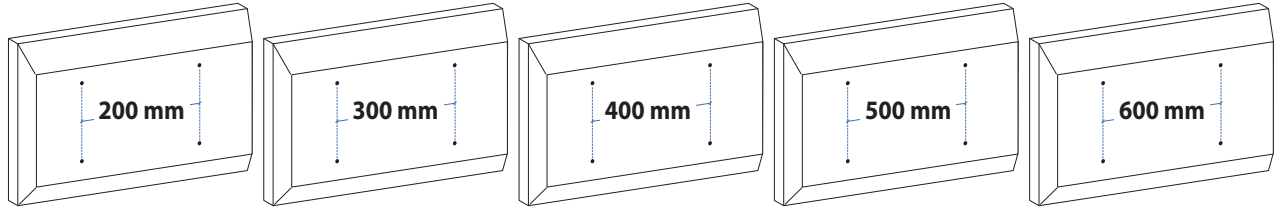
**IMPORTANT:** To ensure screws have the minimum thread engagement in the display, tighten screws with at least six, full, 360° revolutions.  
重要: ディスプレイのネジかみ合いを最小限度に抑えるため、ネジは少なくとも6回、360°回転させ、きつく締めてください。  
重要说明: 为确保螺丝在显示器中的螺纹啮合量最少, 拧螺丝时应至少转六满圈。

**CAUTION: DO NOT overtighten fasteners. Overtightening may cause damage to your equipment.**  
注意: 調節ネジは締めすぎないようにしてください。強く締め付けすぎると、器具が破損する原因となります。  
小心: 不要过度拧紧固定器。过度拧紧可能会损坏设备。  
주의: 고정 장치를 너무 세게 조이지 마십시오. 너무 세게 조이면 장비가 손상될 수 있습니다.

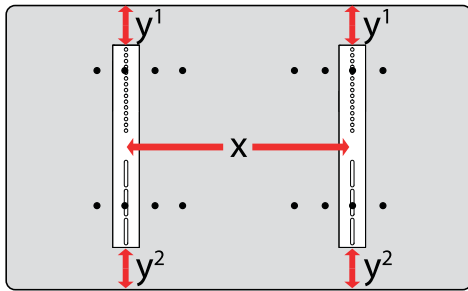
**Recessed Mount**  
くぼみつき  
凹入  
우묵하게 설치



# 7

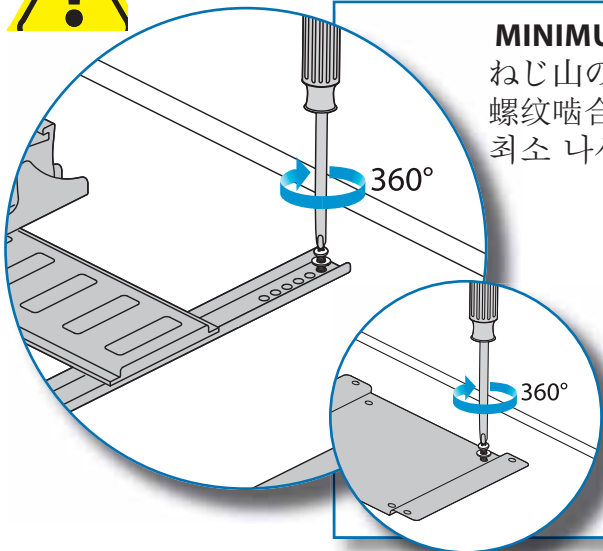


Use fastener chosen from Step 6.  
 ステップ6で選択したファスナーを使用します。  
 使用第 6 步中选取的紧固件。



$$y^1 = y^2$$

$$x \leq 600\text{mm}$$



### MINIMUM THREAD ENGAGEMENT

ねじ山の最小限のかみ合い  
 螺纹啮合最小量  
 최소 나사산 물림

Fastener Diameter	Fastener Length	Minimum Thread Engagement
4mm	40mm	4mm
5mm	40mm	5mm
6mm	45mm	6mm
8mm	50mm	8mm

**g** Tighten screws with at least six, full, 360° revolutions\*, but do not over tighten; over tightening may cause damage to display and/or brackets.

\* Six full turns will ensure a minimum thread engagement roughly equal to the diameter of the screw. For instance, if the screw diameter is 8mm, the minimum thread engagement is also 8mm.)

**g** 360°で少なくとも 6 回転\*させてネジを締めます。ただし、締めすぎないようにしてください。ディスプレイおよび/またはブラケットの破損の原因となる場合があります。

\* 完全に 6 回転すると、ネジ山の最小のかみ合いがネジの直径と大体同じになります。例えば、ネジの直径が 8mm の場合、ネジ山の最小かみ合いも 8mm になります。

**g** 至少360度6次的完全旋转\*来拧紧螺丝，但不可过度拧紧；过度拧紧会对显示器及或支架造成损害。

\* 六次完全旋转就能保证螺纹啮合大致与螺丝的直径相同。比如，如果螺丝的直径是 8mm，螺纹啮合也是 8mm。）

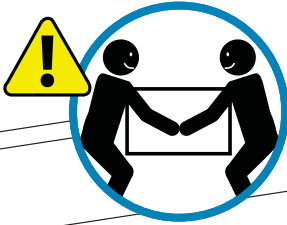
**g** 최소 6번 완전히 360° 회전시켜\* 나사를 조이되 너무 조이지는 마십시오. 너무 조이면 디스플레이 및/또는 브래킷이 손상될 수 있습니다.

\* 6번 완전히 돌리면 나사 지름과 거의 동일한 최소 나사산 물림을 얻을 수 있습니다. 예를 들어 나사 지름이 8mm인 경우 최소 나사산 물림도 8mm입니다.



# 8

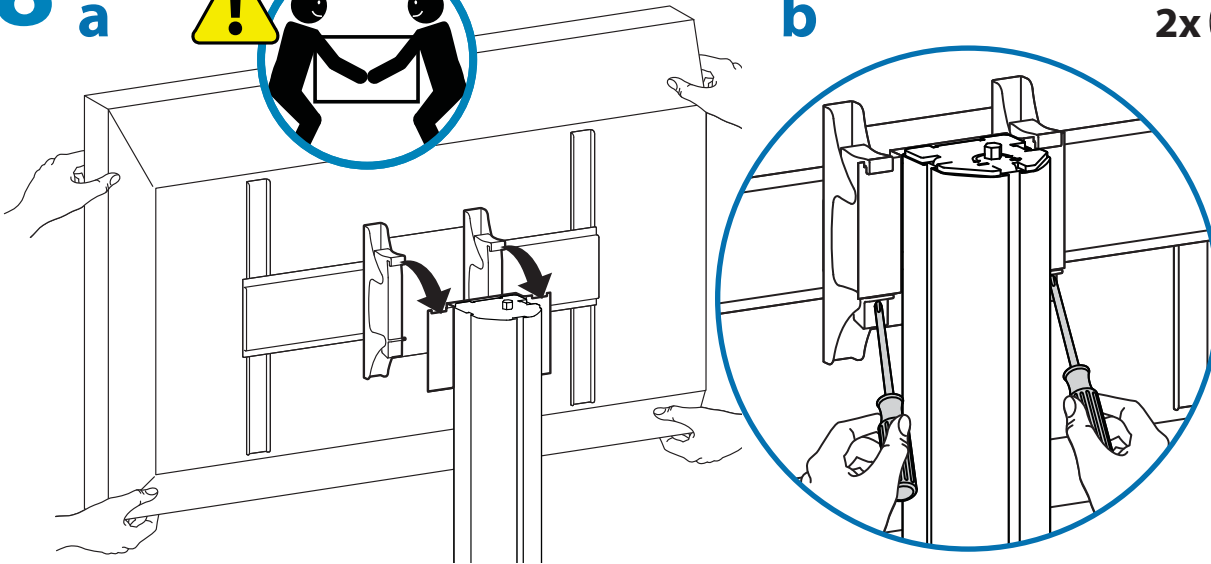
## a



## b

TM Mounting Hardware

2x  M4 x 16mm



# 9

It is important that you adjust this product according to the weight of the mounted equipment as described in the following steps. Any time equipment is added or removed from this product, resulting in a change in the weight of the mounted load, you should repeat these adjustment steps to ensure safe and optimum operation.

Adjustments should move smoothly and easily through the full range of motion and stay where you set it. If adjustments are difficult and do not stay in the desired position, follow the instructions to loosen or tighten the tension to create a smooth, easy adjustment motion. Depending on your product and the adjustment, it may take several turns to notice a difference.

び実行してください。

調整は可動域内でスムーズかつ簡単に動く必要があり、選定した位置にしっかり固定されなければなりません。調整の動きがぎこちなく、選定位置で固定されない場合は、調整がスムーズにできるよう、説明書に従って張力を増減します。お使いの製品や調整によっては、違いがはっきりするまで何回か回さなければならないこともあります。

应当依照下列各步骤中描述的所安装设备的重量来调节本产品，这一点非常重要。任何时候，增减该产品上的设备都会导致安装负载重量的变化，您应当重复这些调节步骤，以确保在最优化条件下安全使用。

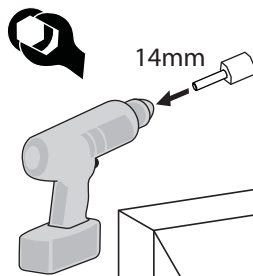
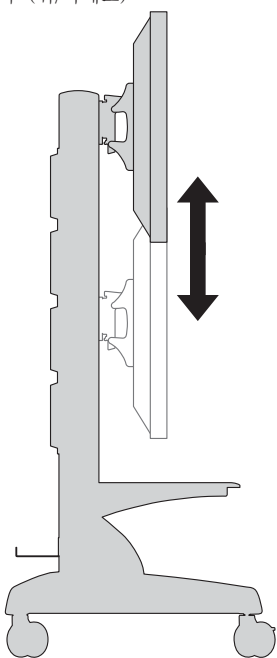
调节应当在整个动作范围内灵活自如，并能固定在所调整的位置。如果调节困难且不能固定在想要的位置上，请遵照说明书拧松或拧紧，使调节动作灵活自如。根据您的所用产品及调节方式，可能需要旋转几圈后才能注意到差别。

It is important that you adjust this product according to the weight of the mounted equipment as described in the following steps. Any time equipment is added or removed from this product, resulting in a change in the weight of the mounted load, you should repeat these adjustment steps to ensure safe and optimum operation.

조절 장치는 전체 이동 범위에서 부드럽고 쉽게 이동할 수 있어야 하며 사용자가 지정한 위치에 유지되어야 합니다. 조절이 어렵고 원하는 위치에 고정되지 않을 경우 지침에 따라 장력을 줄이거나 높여 조절 장치가 부드럽고 쉽게 움직이게 하십시오. 제품과 조절 장치에 따라 여러 번 돌려야 차이가 느껴질 수 있습니다.

### Lift – Up and down

リフト(上下)  
升降(上下)  
높이 (위/아래로)

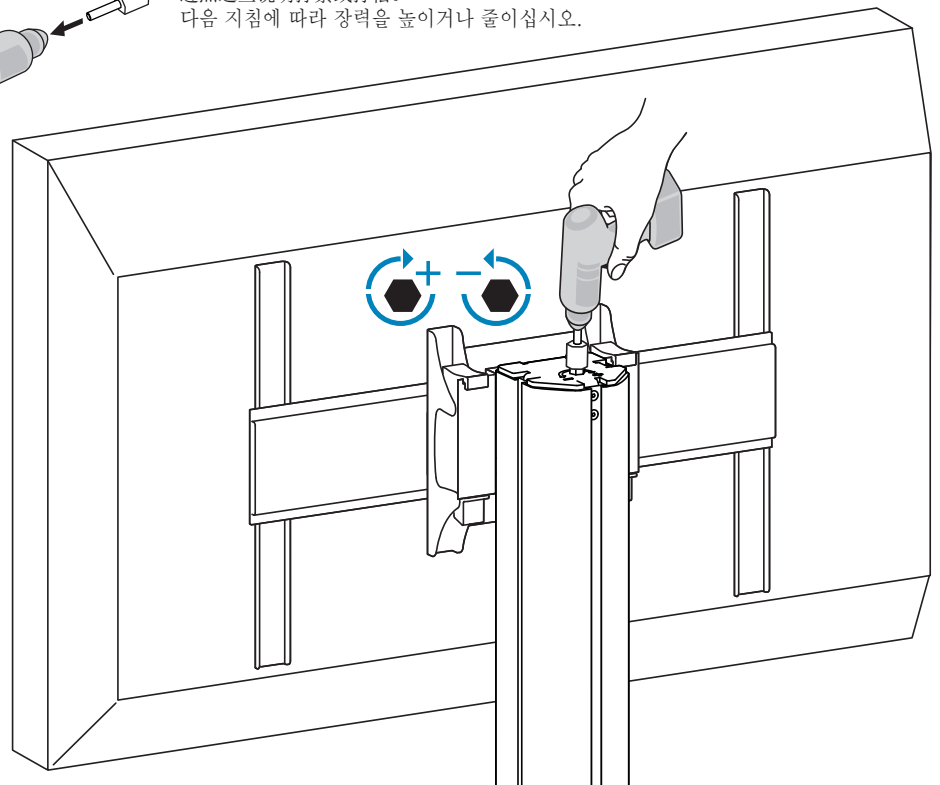


Follow these instructions to tighten or loosen tension.

圧力を増減するには次の手順に従います。

遵照这些说明拧紧或拧松。

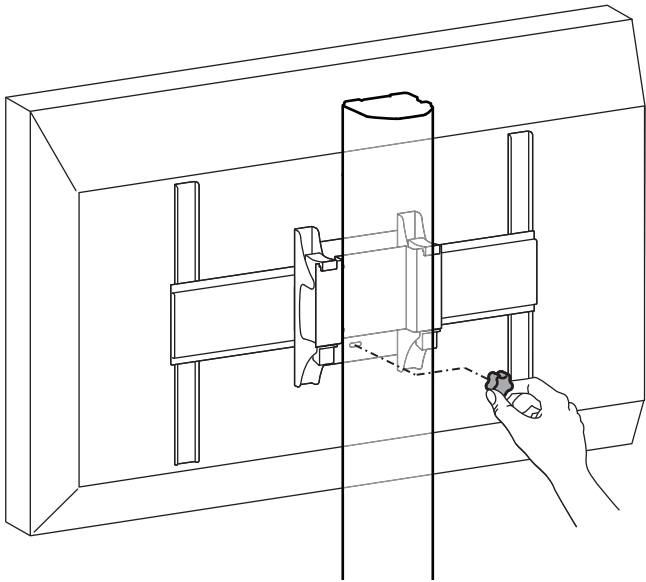
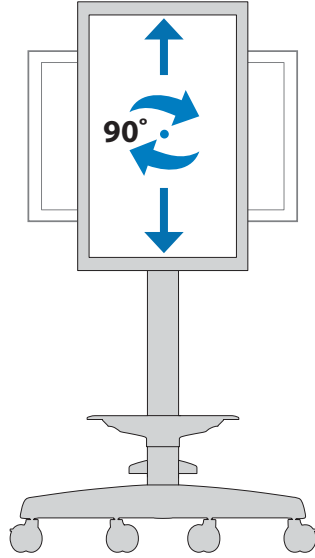
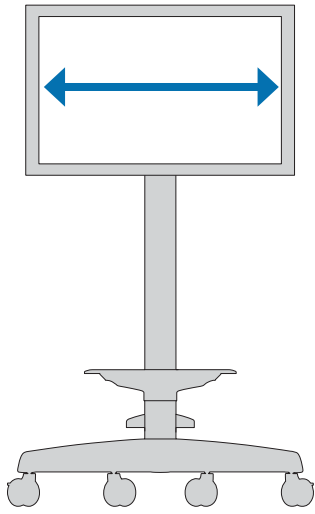
다음 지침에 따라 장력을 높이거나 줄이십시오.



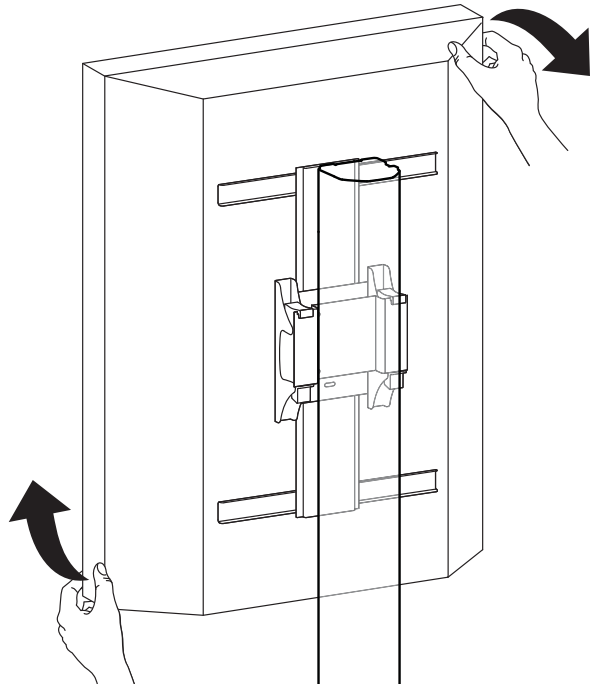
# 10

TM Mounting Hardware

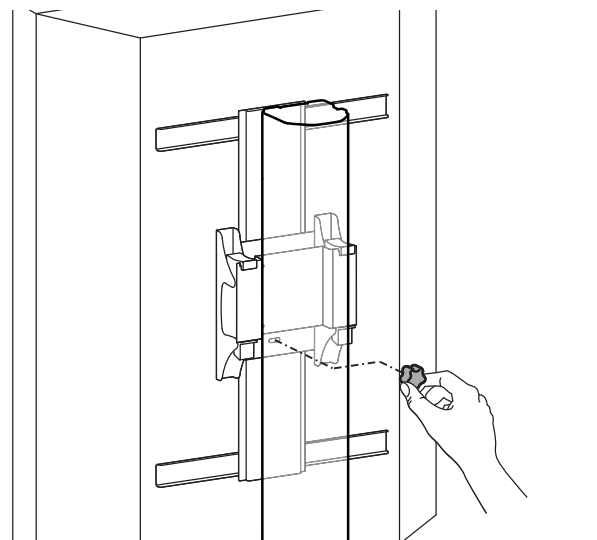
1x 



**a**

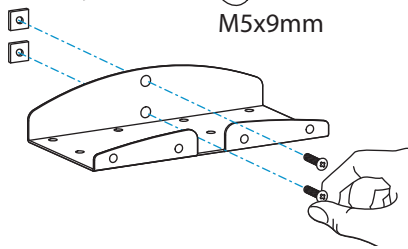
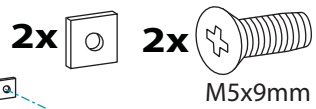


**b**

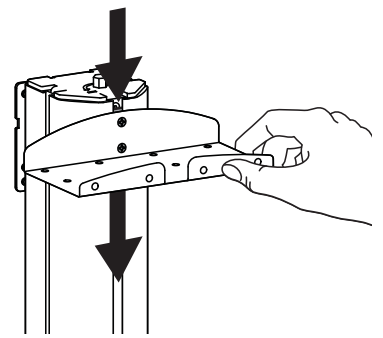


# 11a

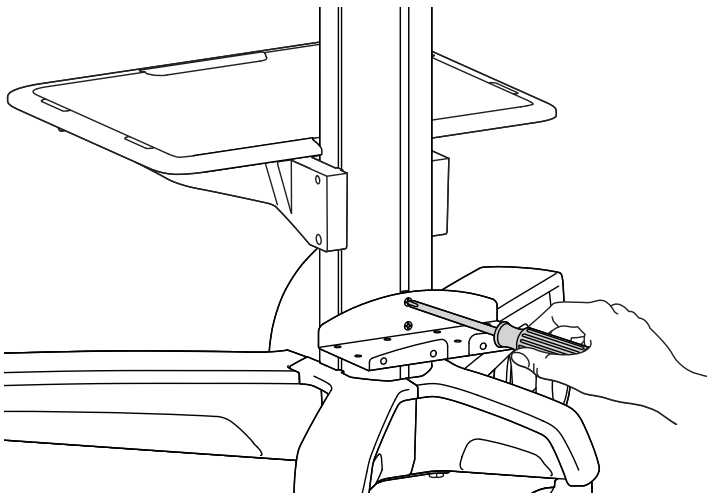
Power Strip Hardware



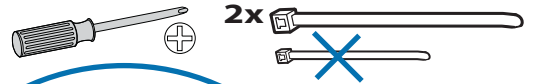
# b



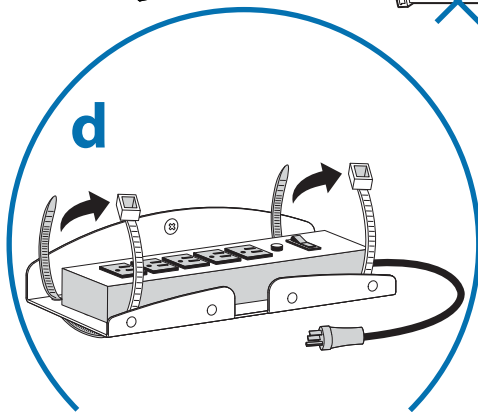
# c



Cable Management Support Hardware

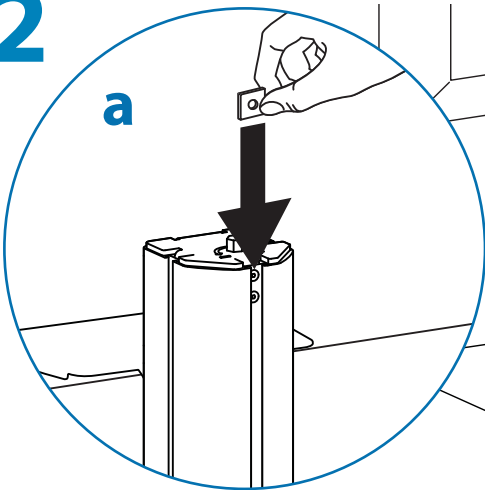


# d

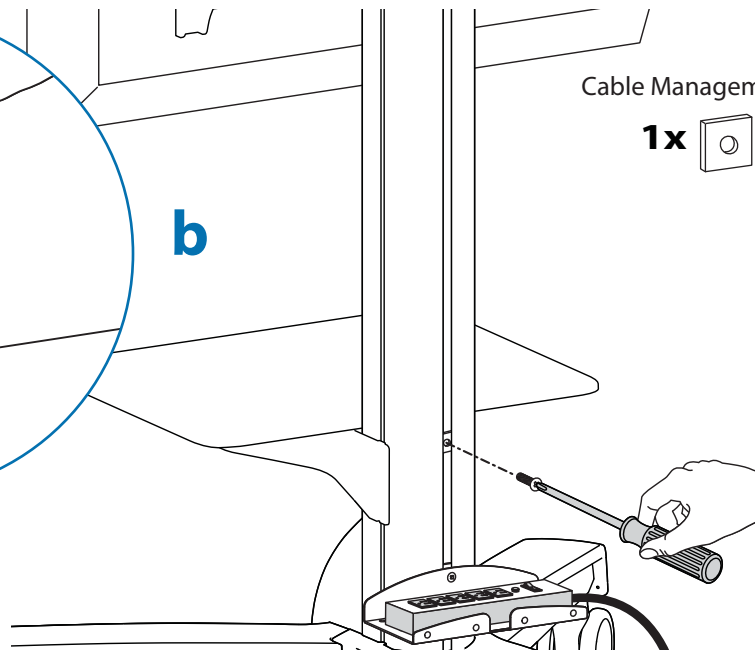


# 12

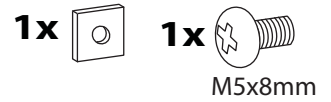
## a



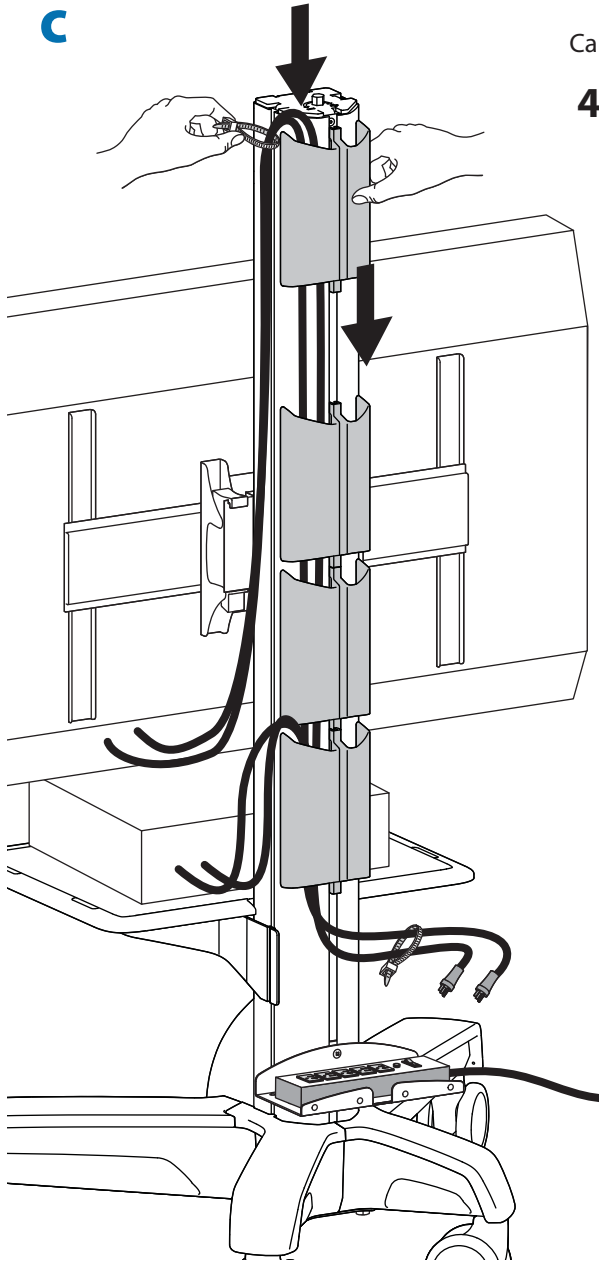
## b



Cable Management Support Hardware



C



Cable Management Support Hardware

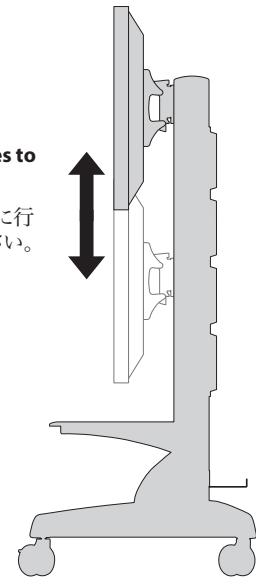


**NOTE: Leave enough slack in cables to allow full range of motion.**

ケーブル配線はアームの移動が自由に行えるよう、多少たるみを持たせてください。

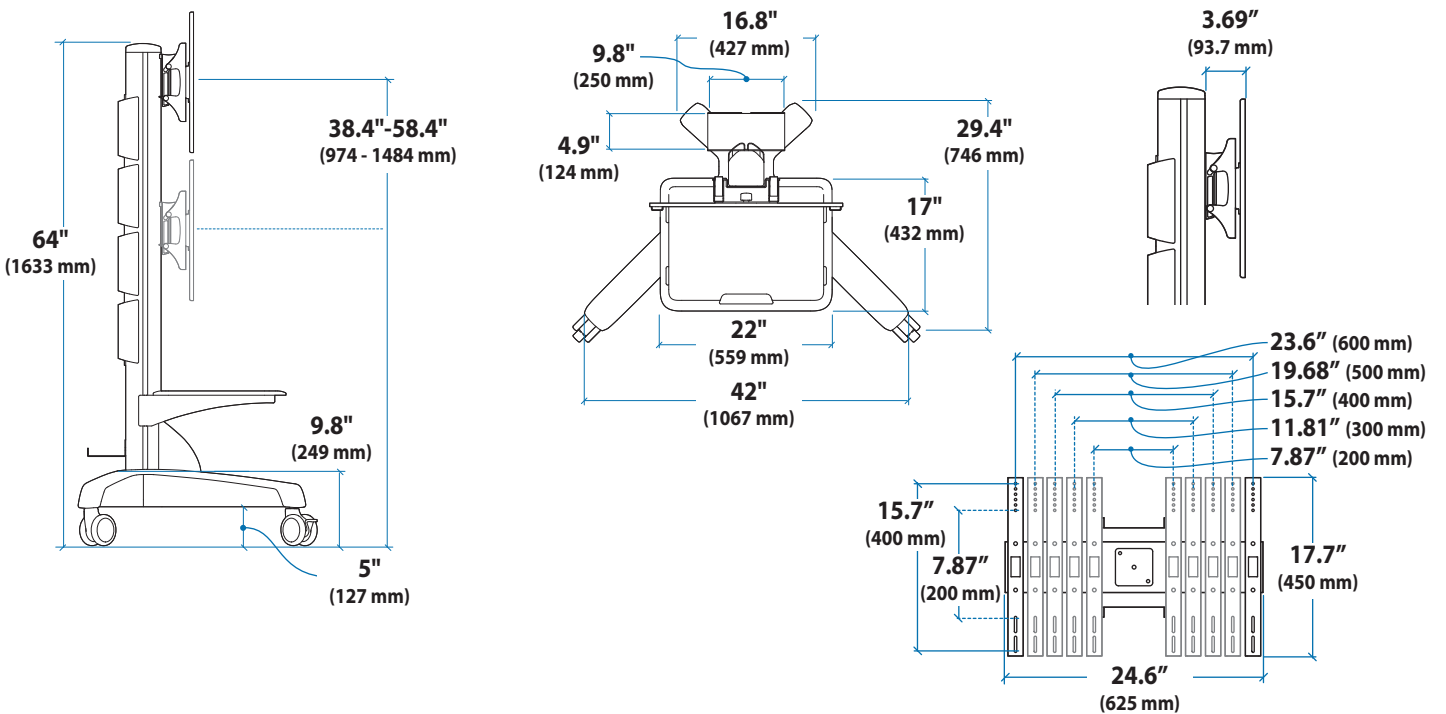
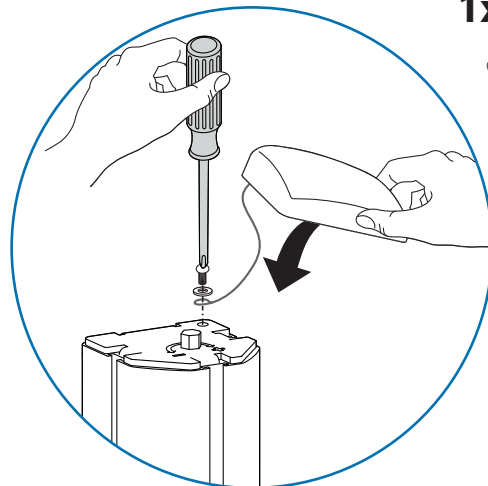
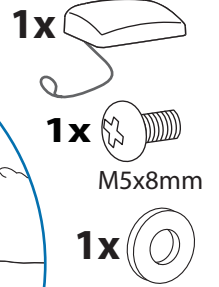
让电缆保持松弛

케이블을 느슨하게 유지



d

Top Cap Hardware



## ! WARNING

### STORED ENERGY HAZARD! DO NOT OPEN TOWER OR REMOVE SAFETY GUARD!

Stored Energy Hazard: The lift mechanism in the tower is under tension and will move up rapidly, on its own, as soon as attached equipment is removed. For this reason, DO NOT remove equipment or make adjustments to lift tension unless the front assembly has been moved to the highest position on the tower! Failure to follow this instruction may result in serious personal injury and/or equipment damage!



## ! WARNING

DO NOT load the Cart/Stand past maximum weight capacity. DO NOT mount a display larger than the recommended size. Failure to comply with warning may result in Cart/Stand instability leading to equipment damage or personal injury.



## ! WARNING



### TIPPING HAZARD!

DO NOT allow children on Cart / Stand.  
DO NOT route electric cords or equipment cables within reach of children. LOCK CASTERS when Cart is stationary. Failure to comply with this warning may result in Cart / Stand instability leading to equipment damage or personal injury.

## ! CAUTION



### TIPPING HAZARD!

DO NOT move Cart with Display in highest position. DO NOT push Cart from front or back of Tower. DO NOT move Cart over cords or uneven, dirty, soft or sloping surfaces. DO NOT move Cart by pushing on Display. Failure to comply with this caution may result in Cart instability leading to equipment damage or personal injury.

#### TO MOVE CART

1. Push Display down to lowest position on Cart.
2. Disconnect power cord and attach to Tower.
3. Unlock casters; point casters in direction of travel.
4. Push Cart from side with hands on Tower.



警告 蓄積エネルギーの危険性: タワーのリフト機構には張力がかかっており、付属していた器具が取り外される瞬間に高速で上に移動します。このため、前面の部品がタワーの最高位置にきていない場合は、器具を取り外したり、張力を調節して増加させないようにしてください。この指示に従わない場合、重篤な身体傷害および/または器具の破損の原因となることがあります。

警告 储能危害: 支柱中の升降机构有张力并会在拆除所安装的设备后自行快速上升。因此, 在将前部装置移到支柱最顶端时, 不要拆除设备或调节升降张力。不遵守本规定可能导致严重的人身伤害和/或设备损坏!

最新のユーザー インストール ガイドは、[www.ergotron.com](http://www.ergotron.com) でご確認ください。

保証書をご覧ください: [www.ergotron.com/warranty](http://www.ergotron.com/warranty)

サービスをご覧ください: [www.ergotron.com](http://www.ergotron.com)

最寄りのカスタマーケアの電話番号については、こちらをご覧ください: <http://contact.ergotron.com>

若需最新的用户安装指南，请访问：[www.ergotron.com](http://www.ergotron.com)

为保证参观：[www.ergotron.com/warranty](http://www.ergotron.com/warranty)

对于上门服务：[www.ergotron.com](http://www.ergotron.com)

若需当地客户服务电话号码，请访问：<http://contact.ergotron.com>

# ergotron<sup>®</sup>

[www.ergotron.com](http://www.ergotron.com) | USA: 1-800-888-8458 | Europe: +31 (0)33-45 45 600 | China: 400-120-3051 | Japan: [japansupport@ergotron.com](mailto:japansupport@ergotron.com)

© 2015 Ergotron, Inc. All rights reserved. NeoFlex™ is a registered trademark of Ergotron, Inc.

While Ergotron, Inc. makes every effort to provide accurate and complete information on the installation and use of its products, it will not be held liable for any editorial errors or omissions (including those made in the process of translation from English to another language), or for incidental, special or consequential damages of any nature resulting from furnishing this instruction and performance of equipment in connection with this instruction. Ergotron, Inc. reserves the right to make changes in the product design and/or product documentation without notification to its users. For the most current product information, or to know if this document is available in languages other than those herein, please contact Ergotron. No part of this publication may be reproduced, stored in a retrieval system, or transmitted in any form or by any means, electronic, mechanical, photocopying, recording or otherwise without the prior written consent of Ergotron, Inc., 1181 Trapp Road, Eagan, Minnesota, 55121, USA. Patents Pending and Patented U.S. & Foreign. Ergotron is a registered trademark of Ergotron, Inc.