

ASSEMBLY INSTRUCTIONS

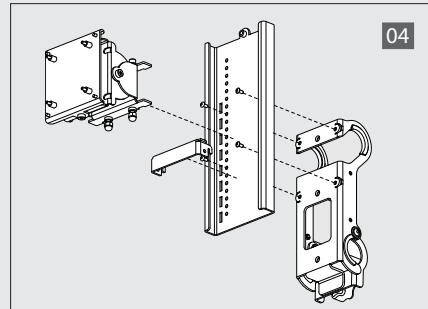
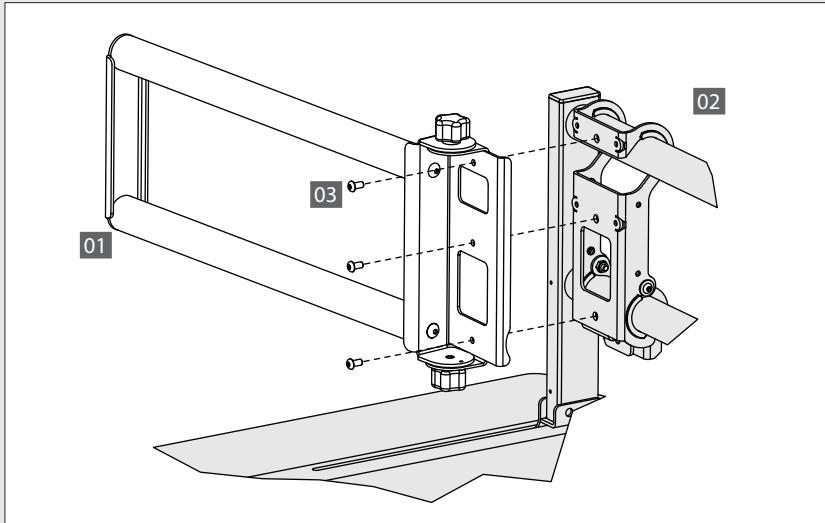
# Monitor Boom Extension for Monitor Easy Track™



Product	Part#
Monitor Boom Extension	RADMEBK

NOTE: The Steve's Station Essential table, CPU SideRack, and hardware are not included.

 **www.ergotron.com**  
 USA: 1-800-888-8458  
Europe: +31 (0)33-45 45 600  
China: 400-120-3051  
Japan:  [japansupport@ergotron.com](mailto:japansupport@ergotron.com)



## WELCOME

Thank you for purchasing Monitor Boom Extension for Monitor Easy Track.

## PARTS LIST

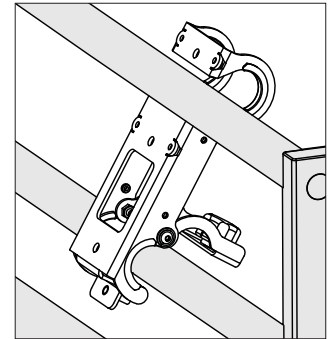
Before beginning assembly of your Monitor Boom Extension, please review the parts list to verify that your shipment is complete.

<u>Product</u>	<u>Quantity</u>	<u>Part Number</u>
01 Boom Extension Assembly	1	RADME-01
02 Monitor Bracket Assembly	1	RADME-02
03 1/4-20X1/2" Button-hd Screws	3	325-5281-00
04 Knuckle Assembly, Standard	1	RADKNA-02

## STEP 1

### INSTALL MONITOR BRACKET ONTO MONITOR EASY TRACK

- Locate the Monitor Bracket. Remove the knob on the back of the bracket and open the bottom clamp. Angle the bracket between the cross tubes on the Monitor Easy Track and hook the top of the Monitor Bracket over the top cross tube. Rotate the bottom of the bracket around the bottom cross tube and close the bracket's bottom clamp over the bottom tube. Slide the bracket all the way to the end of the boom where you want to install the extension. Re-install the knob.



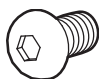
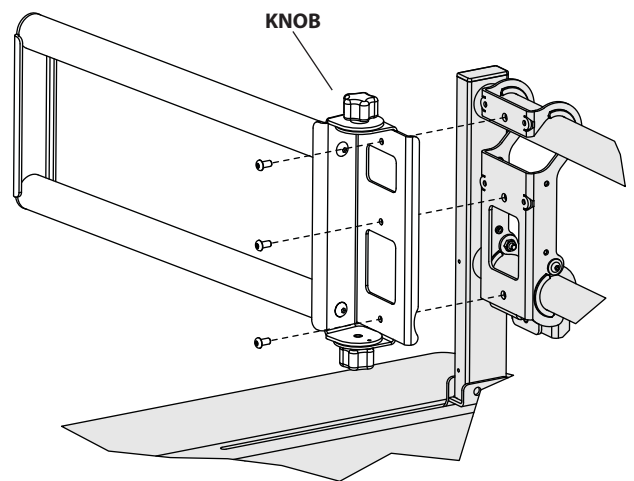
FRONT

BACK

## STEP 2

### INSTALL BOOM EXTENSION

- Align the plate at the end of the Monitor Boom Extension with the front of the Monitor Bracket.
- Attach the plate to the bracket with three 1/4-20x1/2" Button-head Screws using the Anthro driver.
- Loosen the knobs at the top and bottom of the extension to swing the extension into position. Pull the end of the extension forward to curve displays around you for a cockpit feel. Slide the bracket left or right to the desired position.
- Install the monitor knuckle using its enclosed instruction.
- Once all displays are in position on the Boom and Monitor Boom Extension, tighten the knobs at the top and bottom of the Monitor Boom Extension, and tighten the knob on the back of each Monitor Bracket.



1/4-20X1/2" Btn-hd Screw (blue patch)  
325-5281-00

For Warranty visit: [www.ergotron.com/warranty](http://www.ergotron.com/warranty)

For Service visit: [www.ergotron.com](http://www.ergotron.com)

For local customer care phone numbers visit: <http://contact.ergotron.com>

# ERGOTRON®



© 2018 Ergotron, Inc. All rights reserved.  
All trademarks are the property of their respective companies.  
Anthro is a registered trademark and brand of Ergotron Inc.  
Anthro-DNA is a trademark of Ergotron Inc.

300-5613-00 rev. B • 09/18

Americas Sales and  
Corporate Headquarter

St. Paul, MN USA  
(800) 888-8458  
+1-651-681-7600  
[www.ergotron.com](http://www.ergotron.com)  
[sales@ergotron.com](mailto:sales@ergotron.com)

EMEA Sale

Amersfoort, The Netherlands  
+31 33 45 45 600  
[www.ergotron.com](http://www.ergotron.com)  
[info.eu@ergotron.com](mailto:info.eu@ergotron.com)

APAC Sale

Tokyo, Japan  
[www.ergotron.com](http://www.ergotron.com)  
[apaccustomerservice@ergotron.com](mailto:apaccustomerservice@ergotron.com)

Worldwide OEM Sales

[www.ergotron.com](http://www.ergotron.com)  
[info.oem@ergotron.com](mailto:info.oem@ergotron.com)