

ASSEMBLY INSTRUCTIONS

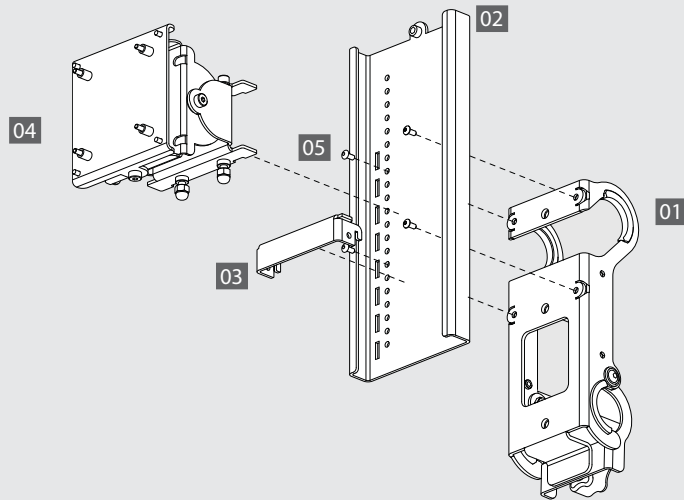
# Monitor Knuckles for Carl's Table and Steve's Station



Product	Part#
Monitor Knuckle, Standard	RADKNABK
Monitor Knuckle, Super	RADKNBBK
Monitor Vertical Extension	RADMVBK

NOTE: The Steve's Station Essential table, Monitor Extension, CPU SideRack, and equipment are not included.

 **www.ergotron.com**  
 USA: 1-800-888-8458  
Europe: +31 (0)33-45 45 600  
China: 400-120-3051  
Japan:  japansupport@ergotron.com



## WELCOME

Thank you for purchasing this Accessory!

## PARTS LIST

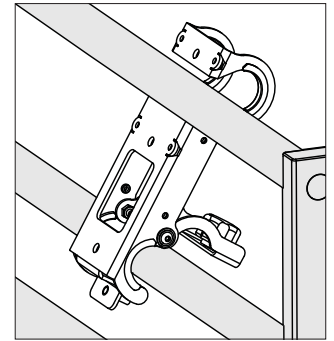
Before beginning assembly of this accessory, please review the parts list to verify that your shipment is complete.

Product	Quantity	Part Number
01 Monitor Bracket Assembly	1	RADKN-01
02 Monitor Track	1	
12"		225-4442-00
16", for Monitor Vertical Extension		225-4450-00
03 Block	1	225-4443-00
04 Knuckle Assembly	1	
Standard		RADKNA-02
Super		RADKNB-02
05 #8-32x3/8 BHSC Screw	4	325-5742-00
06 Spacer (not shown)	4	325-5460-00
07 M4x18mm Phillips Pan-hd Screw (not shown)	4	325-A300-05-01-00
08 M4x8mm Phillips Pan-hd Screw (not shown)	4	325-A129-18-01-00
09 3/32" hex key (not shown)	1	375-5030-00

## STEP 1

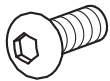
### INSTALL MONITOR BRACKET

- Locate the Monitor Bracket. Remove the knob on the back of the bracket and open the bottom clamp. Angle the bracket between the cross tubes on the Monitor Easy Track and hook the top of the Monitor Bracket over the top cross tube. Rotate the bottom of the bracket around the bottom cross tube and close the bracket's bottom clamp over the bottom tube. Loosely re-install the knob and slide the bracket to the desired position. Leave the knob loose for now.
- Align the Monitor Track with the Monitor Bracket and attach using four 325-5742-00 #8-32x3/8 Screws using the 3/32" hex key provided. [A] FOR STANDARD KNUCKLE: the top holes on the bracket line up with the pair of holes 8 down from the top of the track, and the bottom holes on the bracket line up with the pair of holes 7 holes up from the bottom on the track.  
FOR SUPER KNUCKLE: the top holes on the bracket align with the pair of holes 12 down from the top of the track, and the bottom holes on the bracket line up with the pair of holes 3 up from the bottom.  
FOR VERTICAL EXTENSION: the top holes align with the pair of holes 16 up from the bottom of the track, and the bottom holes on the bracket line up with the pair of holes 9 up from the bottom.
- Remove and set aside the safety fastener at the top of the Monitor Track [B]. Slide the Monitor Block into the track with the hooks facing down. Hook it into the slots on the Monitor Track at the desired height [C].

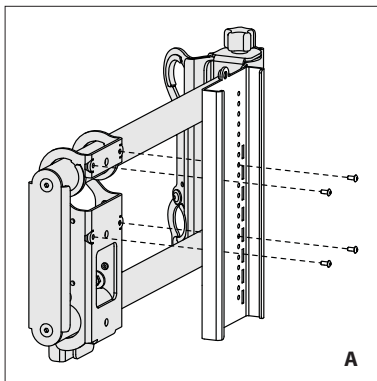


FRONT

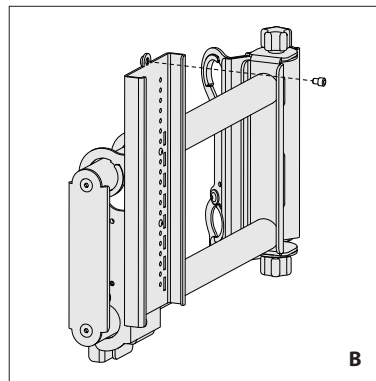
BACK



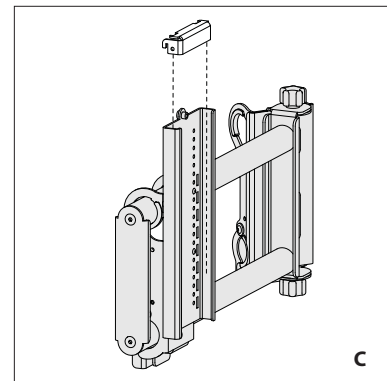
#8-32 x3/8 BHSC Screw  
325-5742-00



A



B



C

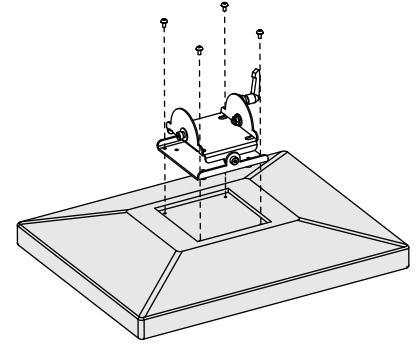
#### DO YOU HAVE A MONITOR VERTICAL EXTENSION?

If you have a Monitor Vertical Extension to stack two monitors, repeat STEP 2 to attach a knuckle to each monitor, and repeat STEP 3 to attach the knuckles to the table.

## STEP 2

### ATTACH THE KNUCKLE TO YOUR MONITOR

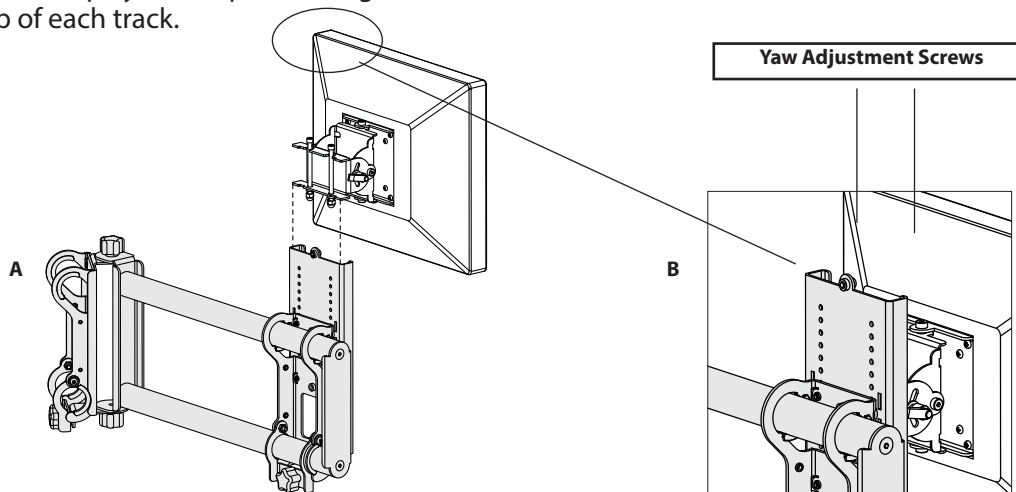
- Place your monitor face down on a non-marring surface with the top of the monitor away from you.
- Align the knuckle with the monitor so the holes on the knuckle line up with the holes on the back of the display and the tilt release lever is on the right.
- Attach the knuckle to the monitor with four M4x8mm Phillips screws (325-A129-18-01-00). If the knuckle won't fit into the attachment area on the back of your display, use the spacers (325-5640-00) and the longer M4x18mm (325-A300-05-01-00) screws.



## STEP 3

### INSTALL THE KNUCKLE ASSEMBLY ONTO THE MONITOR EASY TRACK

- Slide the Monitor and Knuckle Assembly into the track until it rests on the block. [A] Check the height. If needed, slide the assembly out, reposition the Monitor Block, and reinstall the Monitor and Knuckle assembly. If you want your monitor even higher than the block will go, remove the block, then remove and re-install the track higher on the Monitor Bracket.
- Once all knuckles are installed, fine-tune their height and “yaw” (side-to-side tilt). Two height adjustment screws are located on the back of the knuckle just above the block, one on the left side and one on the right. Insert the long 3/16” hex key (provided) into the opening and turn clockwise to move that side up, counter-clockwise to move it down. [B]
- When all the displays are in position, tighten the knob at the back of each bracket and reinstall the safety fastener at the top of each track.



For Warranty visit: [www.ergotron.com/warranty](http://www.ergotron.com/warranty)

For Service visit: [www.ergotron.com](http://www.ergotron.com)

For local customer care phone numbers visit: <http://contact.ergotron.com>

# ERGOTRON®



© 2018 Ergotron, Inc. All rights reserved.  
All trademarks are the property of their respective companies.  
Anthro is a registered trademark and brand of Ergotron Inc.  
Anthro-DNA is a trademark of Ergotron Inc.

Americas Sales and  
Corporate Headquarter

St. Paul, MN USA  
(800) 888-8458  
+1-651-681-7600  
[www.ergotron.com](http://www.ergotron.com)  
[sales@ergotron.com](mailto:sales@ergotron.com)

EMEA Sale

Amersfoort, The Netherlands  
+31 33 45 45 600  
[www.ergotron.com](http://www.ergotron.com)  
[info.eu@ergotron.com](mailto:info.eu@ergotron.com)

APAC Sale

Tokyo, Japan  
[www.ergotron.com](http://www.ergotron.com)  
[apaccustomerservice@ergotron.com](mailto:apaccustomerservice@ergotron.com)

Worldwide OEM Sales

[www.ergotron.com](http://www.ergotron.com)  
[info.oem@ergotron.com](mailto:info.oem@ergotron.com)