

DS100 Series

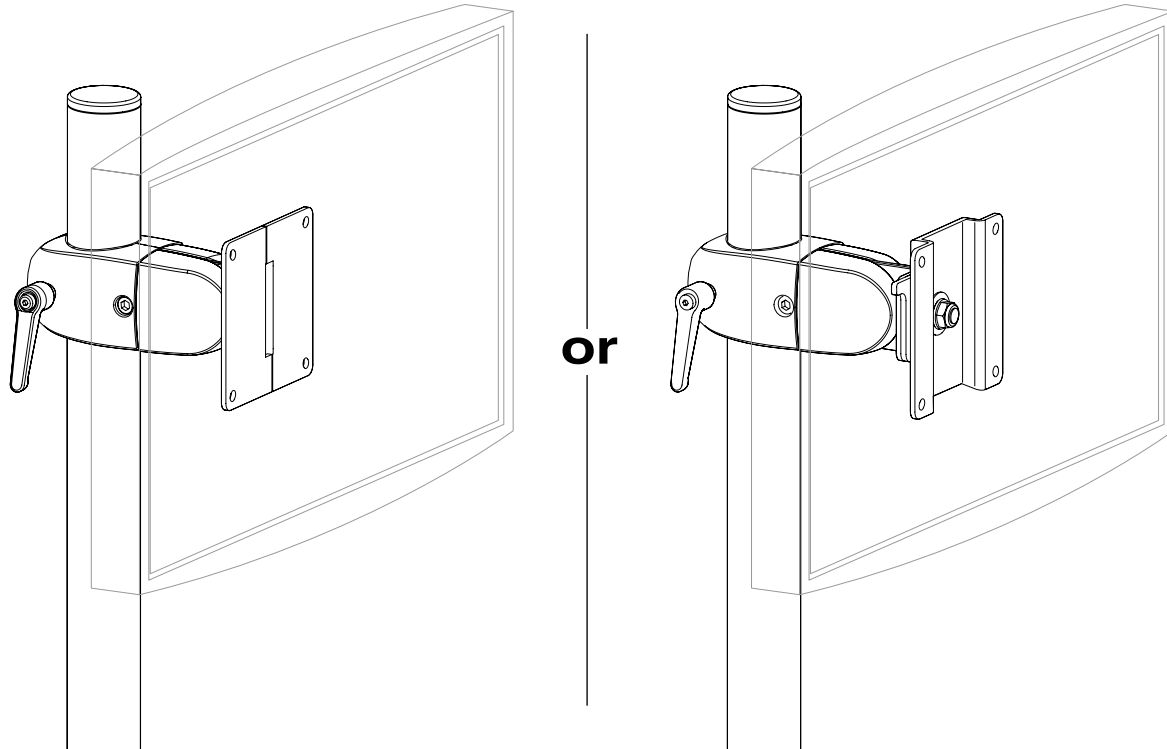
Pole Clamp Pivot

Single Pivot & Single Pivot Portrait/Landscape

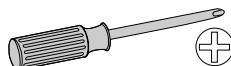


USA 1-800-888-8458

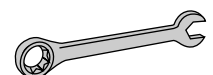
Europe +31 20 312.29.39



	A	B	C
1	1x 	2x 	1x

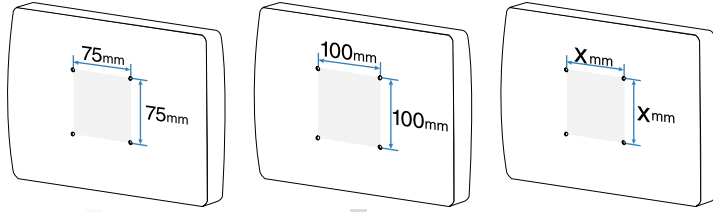


1/2"
(13mm)

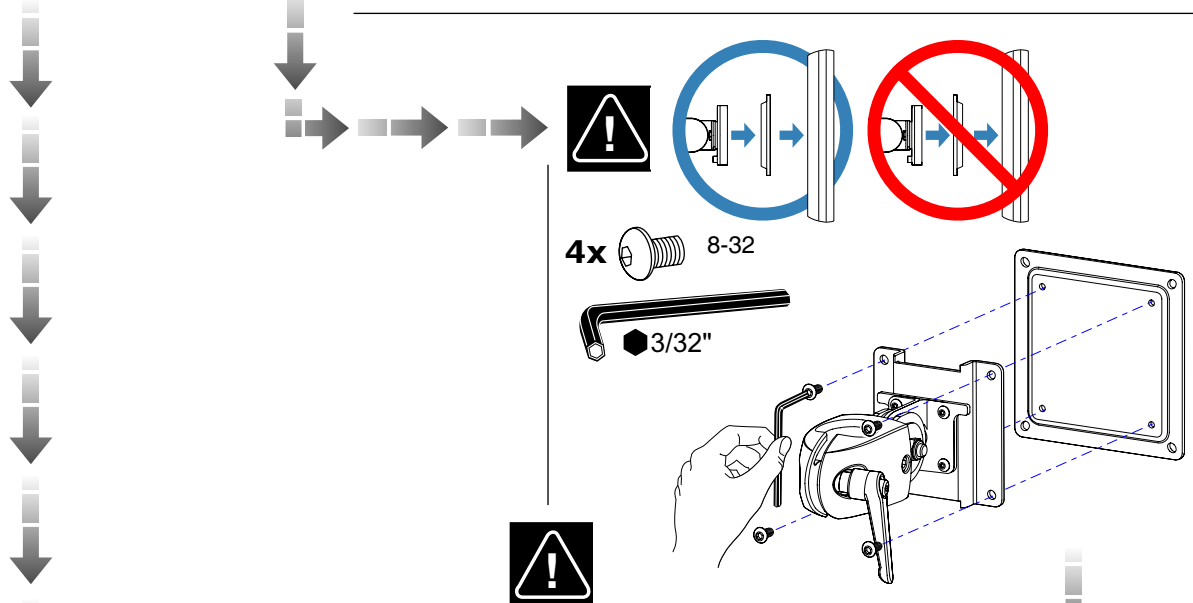


1/2"
(13mm)

1

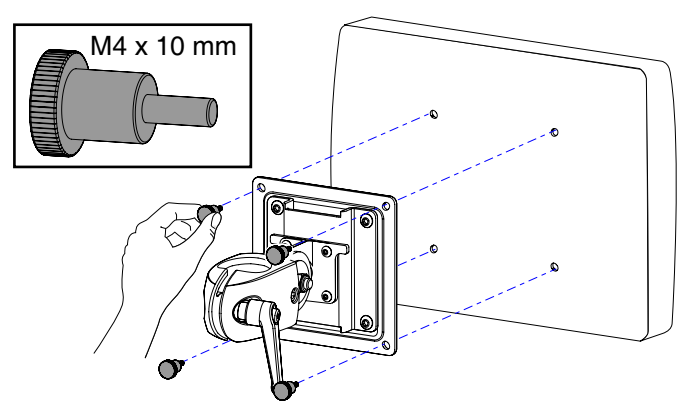
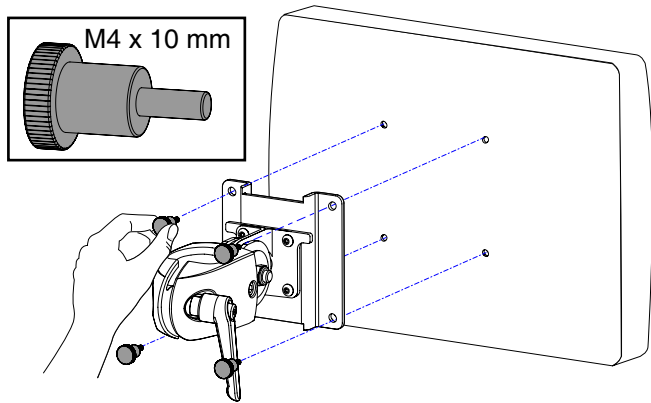
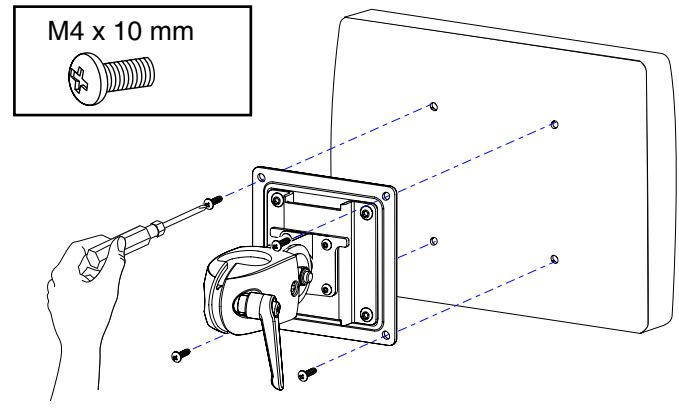
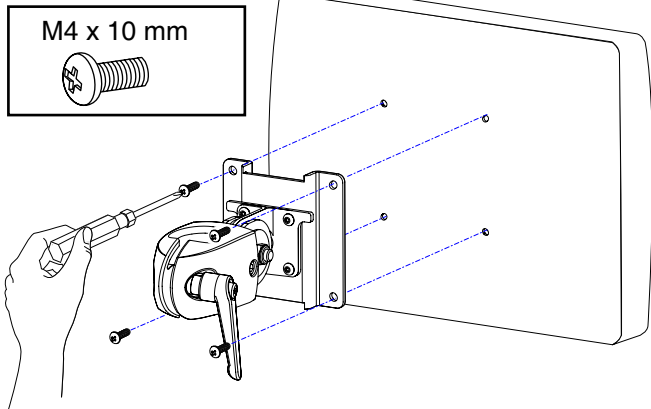


USA 1-800-888-8458
Europe +31 20 312.29.39

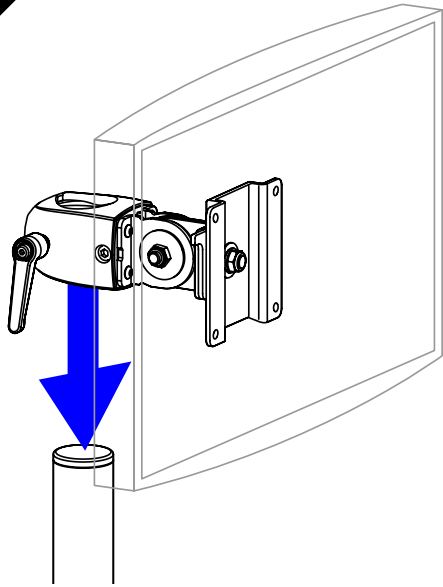


If your monitor uses a screw size other than M4 x 10mm, DO NOT use the M4 x 10mm screws or knob provided as they could result in damage to the monitor.

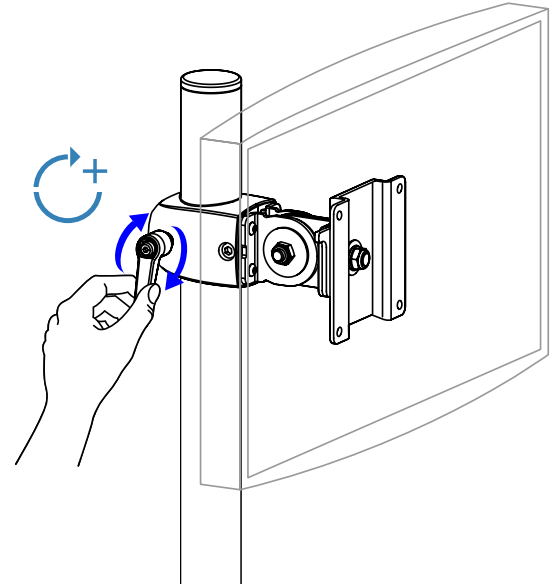
Indien uw monitor voorzien is van een ander type schroef dan de M4 X 10 mm, gebruik dan beslist niet de door Ergotron geleverde M4 X 10mm schroeven of schroefknoppen, want deze kunnen de monitor beschadigen.



2



2a



2b



Ergonomics
Ergonomía
Ergonomie
Ergonomi



Janzon **ERGONOMICS**

Ergonomic Mounting Heights
For Flat Panel Monitors and Adjustments

Overview:
When mounted properly, Ergonomics A3000™ will provide ergonomic monitor viewing and adjustment controls for a wide range of users, whether sitting, standing or in wheelchairs.

The streamlined design and flexible construction of this guide can be used to determine the ergonomically correct mounting height of any display that has been identified as suitable for use on a vertical or horizontal surface. Mounting heights may change due to various mounting heights.

The Adjustments Table on page 17 shows how mounting heights are calculated based on the eye and ear heights of a user in various positions.

To Mount your Flat Panel Monitor or Dashboard at an ergonomically correct height, start at step 1 and continue as directed.

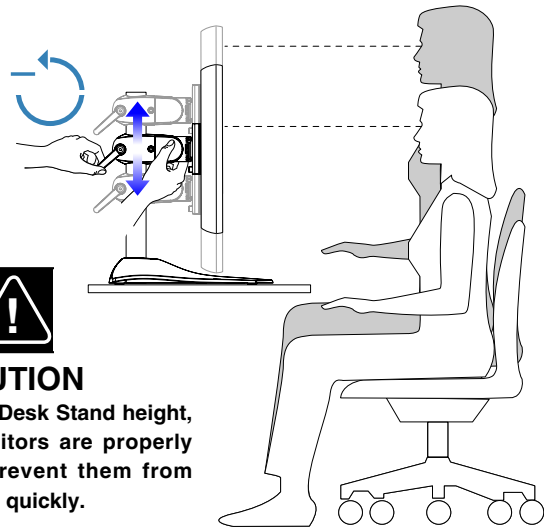
FIND "X" - Distance between Center Line of Mounting Holes and Top of Monitor Screen

Control Line for mounting

Side View Front View Back View

Rev. D 10/05 1 of 17 888-99-0114

888-99-0114

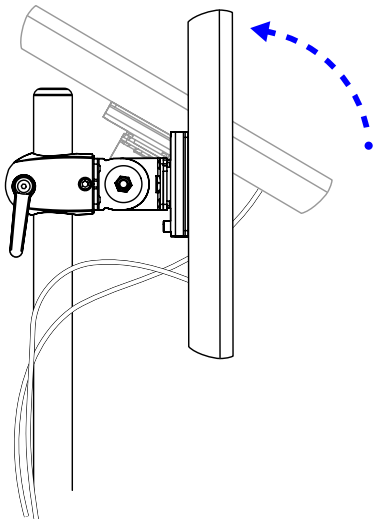


CAUTION

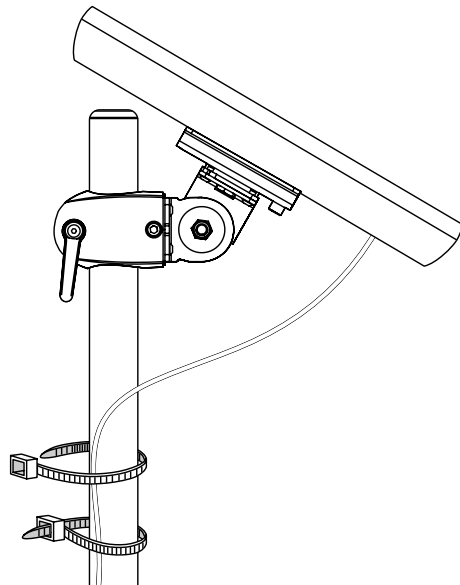
When adjusting Desk Stand height, make sure monitors are properly supported to prevent them from sliding down too quickly.

2c

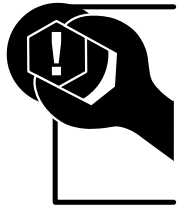
3



3a



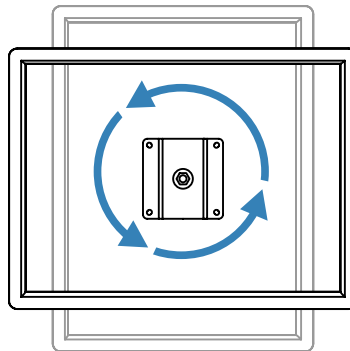
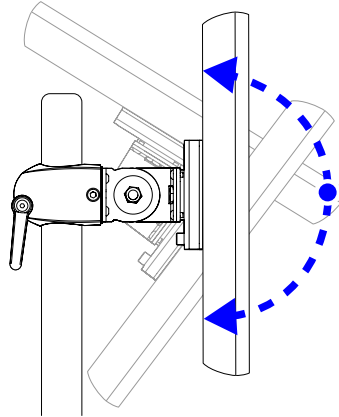
3b

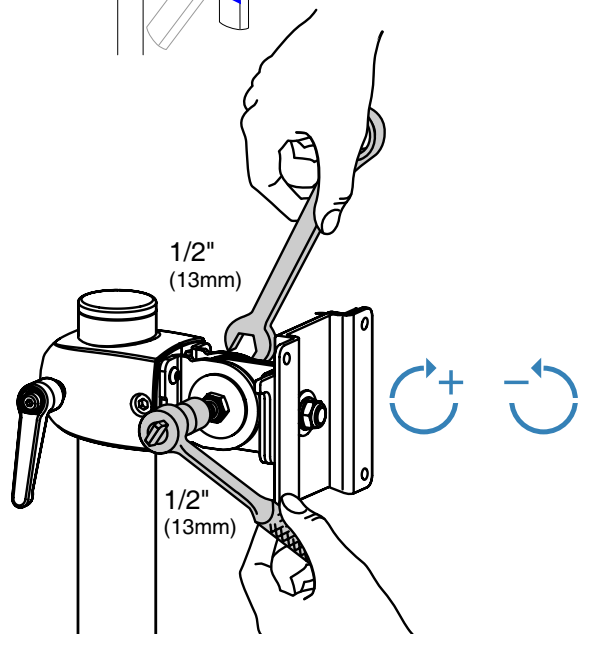
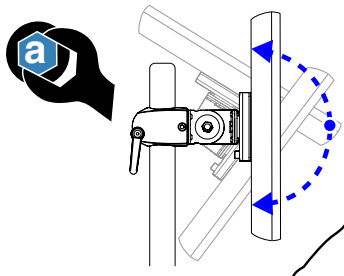


Adjustment
 Justering
 Justierung
 Ajustement
 Bijstelling
 Ajuste
 Regolanzione

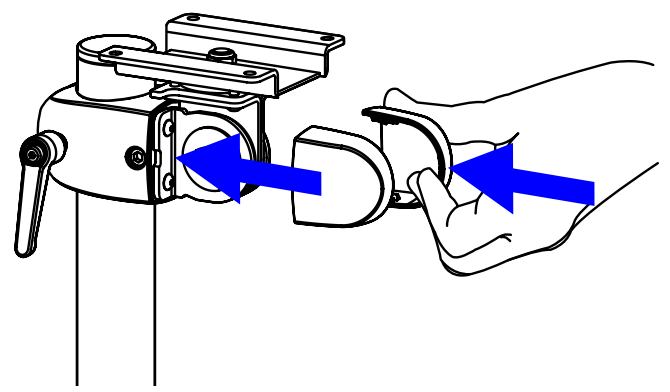
OVERVIEW

Ergotron's DS100 Series Pivots are factory-set to provide positive pivot control and a smooth moving force throughout the entire pivot range of motion. To customize your installation, you will evaluate the operation of each Pivot function by moving the monitor through its full range of movement. If excessive force is required to pivot the monitor or if the monitor does not stay in the desired position, pivot adjustment is required. Adjust for a controlled motion of the monitor over the entire range of travel. Specific adjustment procedures for each function are found on the following page.

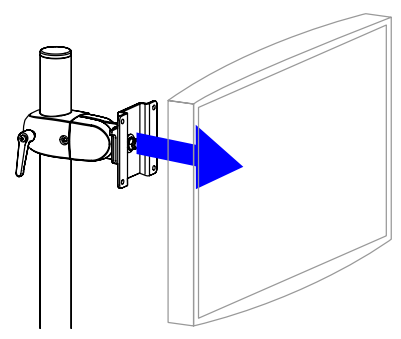
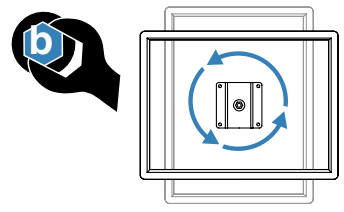




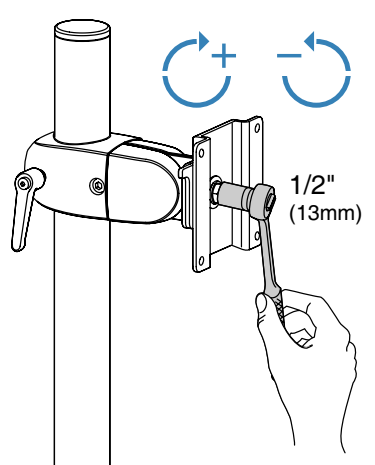
a1



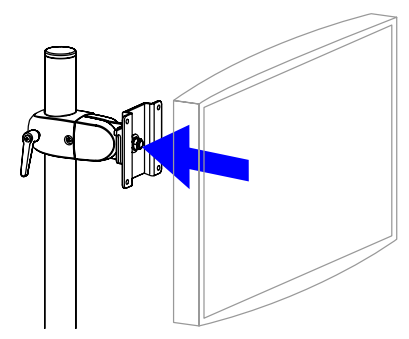
a2



b1

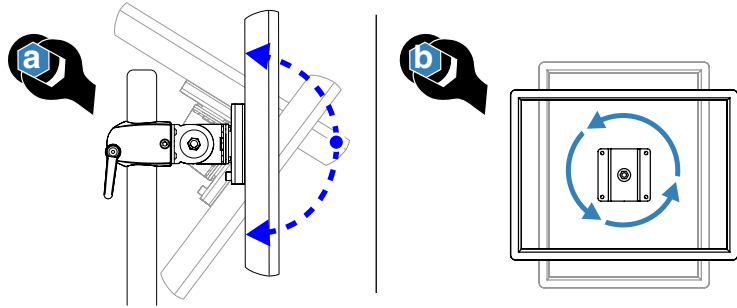


b2



b3

? TROUBLE SHOOTING



Symptom	Probable Cause	Solution
Monitor pivots up and down too difficult or too easy	Improper Pivot tension	5
	Monitor exceeds weight capacity	USA 1-800-888-8458 Europe +31 20 312.29.39
Monitor rotates from portrait to landscape too difficult or too easy	Improper Pivot tension	5

Warranty

Ergotron warrants that its products will remain free of defects in material and workmanship for (5)-years.

Exclusive Remedy: If any Ergotron equipment is or becomes defective in material or workmanship during the warranty period, Purchaser must return the item to Ergotron with a written explanation of the defect. Ergotron will promptly repair or replace the item and ship it to Purchaser without charge to Purchaser. Performance of repair or replacement does not renew or extend the warranty period.

THIS REMEDY IS THE EXCLUSIVE REMEDY FOR BREACH OF WARRANTY AS TO THE EQUIPMENT, except in respect to personal injury. Purchaser shall give Ergotron immediate written notice of any personal injury resulting from use of Ergotron equipment.

Exclusions and Limitations: Ergotron disclaims liability for injuries or losses caused by or associated with installation or use of its equipment in any manner other than in strict conformance with the instruction sheets, technical bulletins or product literature, or by equipment that has been altered, damaged or misused.

Purchaser has not relied upon and Ergotron disclaims any and all warranties other than the expressed warranty stated above, subject to the exclusions and limitations provided herein. Ergotron disclaims all other warranties, expressed or implied, including but not limited to the warranties of merchantability and fitness for a particular purpose.

Ergotron further disclaims liability to purchaser and all others for all consequential, incidental and special damages caused by or in connection with the products, their use or misuse, and their performance or nonperformance.



© 2005 Ergotron, Inc. All rights reserved.

Patents Pending and Patented U.S. & Foreign. Ergotron is a registered trademark of Ergotron, Inc. Reproduction of this material in whole or part for any purpose other than that authorized by Ergotron, Inc. is prohibited.