



### -Highlights

- *Constant Force (CF) proprietary lift-and-pivot motion technology provides premium adjustment—set display in position with just your fingertips*
- *Position your LCD or TV for maximum comfort and productivity*
- *Weight capacity 5–20 lbs (2.3–9.1 kg)*
- *13" (330 mm) vertical range ergonomically meets the seated 5% female to the 95% male eye height; more than nine out of ten adults*
- *Allows monitor to be rotated for portrait/landscape viewing*
- *Upgrade LCDs with improved ergonomic adjustability*
- *Internal cable management routes cables neatly under arm*
- *Attaches to LCDs that are VESA® MIS-D, 100/75, C compliant*



# Ergotron® LX

## Desk Mount and Wall Mount Arms



**More motion. Less effort.  
Feel the difference.**

Ergotron's LX Arm includes Constant Force (CF™) proprietary lift-and-pivot motion technology. With the simple touch of your fingers you can easily lift, swing, tilt or turn your display.

- Increase viewing comfort—help reduce eye, back and neck strain
- Reposition your display with just a touch
- Excellent price performance
- Arm extends/retracts LCD up to 24"—push it back out of the way
- Wall Mount or Desk Mount installation

The LX Arm is the perfect desk or wall mount accessory to add flexibility and superior ergonomics to your LCD monitor or TV. Sleek and streamlined, it frees up space and allows you to easily position your display for greater productivity. It's ideal for home and office use, especially in situations where several people use the same display.



Patent-pending CF lift-and-pivot motion technology is utilized in display pivot and body of arm.

The LX Arm is compatible with displays that are VESA MIS-D compliant. Simply remove existing base of the display, match up hole pattern (75 or 100 mm) and attach display to the LX with four screws.

Screen height, viewing angle and viewing distance are all easily adjusted for each user.

Cables are guided along underside of arm for a clutter-free work area.

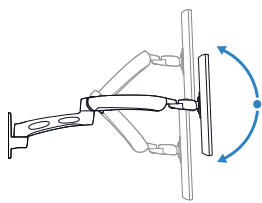
Desk clamp base uses little space yet ensures stability even as display is adjusted. Attach Arm at any height on pole.

Premium adjustment range of the LX Arm allows LCD to be lowered into a position that is comfortable for people wearing bifocals or using a tablet PC (Ergotron Wall Track shown).

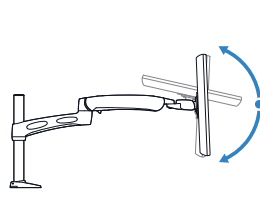
LX Arm can be used without the extension.



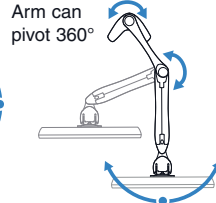
## Range of Motion



13" (330 mm) height range

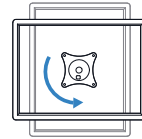


LCD tilts +5/-75° forward/back

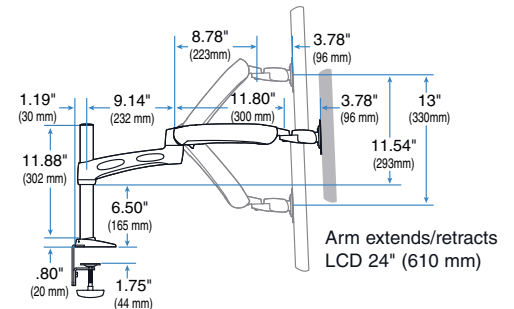


Arm can pivot 360°

LCD pans 180° right/left



LCD rotates 90° portrait/landscape



## Basic Specifications

**Descriptions:** LX Desk Mount Arm, model LXD13M1S  
Commercial Part Number: 45-179-194 (silver)  
LX Wall Mount Arm, model LXW13M1S  
Commercial Part Number: 45-180-194 (silver)

### Attachment Options:

- Desk Mount (clamp and grommet bases included): clamp to surfaces  $\frac{1}{2}$ – $1\frac{1}{8}$ " (12.7–47.6 mm) thick or grommet mount through holes  $\frac{5}{16}$ – $2$ " (7.9–51 mm) wide and up to  $2\frac{1}{2}$ " (63.5 mm) thick.
- Wall Mount: attach directly to sturdy vertical surface. Wall track or wall plate recommended (order separately).

**Weight Capacity:** 5–20 lbs (2.3–9.1 kg)

**Shipping Weight:** 11 lbs (5 kg)

**Warranty:** 5 year

### Display Interface Options:

- VESA FDMI MIS-D, 100/75, C (hole pattern: 100 x 100 mm & 75 x 75 mm)