

400 Series



400 Series Vertical Mount Arms

Part Number	Description	Shipping Weight	
Monitor Mounts		Weight Capacity	
45-007-099, grey 45-007-085, black	Rotate, Double Pivot w/ P/L	23 lbs (10.4 kg)	13 lbs (5.9 kg)
Keyboard/Laptop Mounts			
45-006-099, grey* 45-006-085, black*	Rotate, Keyboard Pivot	7.5 lbs (3.4 kg)	12 lbs (5.4 kg)
Combo Mounts			
45-029-099, grey*† 45-029-085, black*†	Rotate, Combo Flat Panel/Keyboard Arm	Mon: 20 lbs (9 kg) Kybd: 7.5 lbs (3.4 kg)	15 lbs (6.8 kg)
Extenders		Dimensions (L x W x D)	
44-253-100, grey** 44-253-101, black**	Extender, 12-inch	12" x 2" x 6-1/4" (305 x 51 x 159 mm)	7 lbs (3.2 kg)
44-254-100, grey** 44-254-101, black**	Extender, 18-inch	18" x 2" x 6-1/4" (457 x 51 x 159 mm)	9 lbs (4.1 kg)

* Keyboard/Mouse Tray ordered separately. See Accessories section.

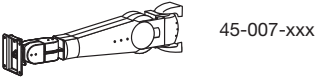
** Extenders are compatible with 400 Series Rotate Arms (45-007-xxx, 45-006-xxx and 45-029-xxx) only.

† Compatible with monitors that have a removable base and the measurement between the bottom of the monitor and its lower mounting holes is no more than 6" (152 mm).

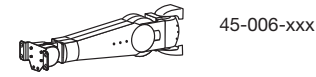
400 Series Suspend Mount Arms

Suspend from a ceiling, shelf or other horizontal surface.

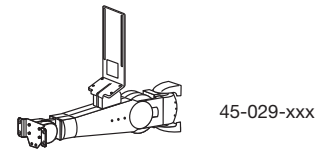
Part Number	Description	Shipping Weight	
Monitor Mounts		Weight Capacity	
45-014-099, grey 45-014-085, black	Double Pivot w/ P/L	23 lbs (10.4 kg)	15 lbs (6.8 kg)



45-007-xxx



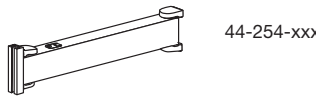
45-006-xxx



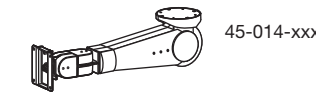
45-029-xxx



44-253-xxx

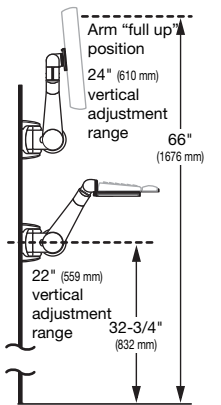


44-254-xxx

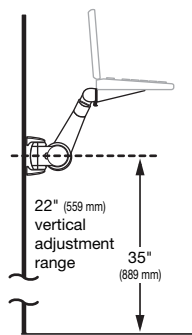


45-014-xxx

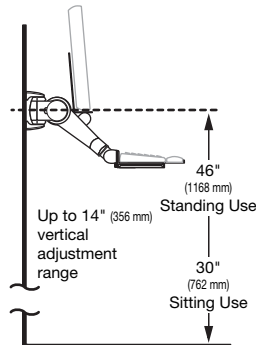
Recommended Installation Heights:



400 Series Arm w/ Double Pivot & P/L
Sit-to-Stand Configuration



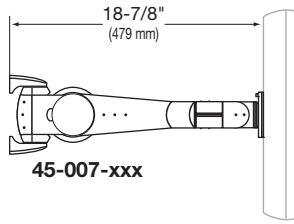
400 Series Keyboard/Laptop Arm
Sit-to-Stand Configuration



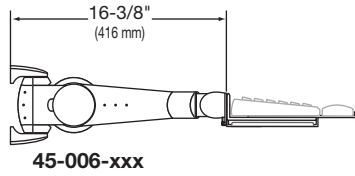
400 Combo Flat Panel Monitor/Keyboard Arm

400 Series

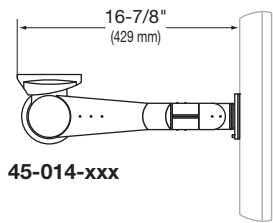
Vertical Mount Monitor Arms



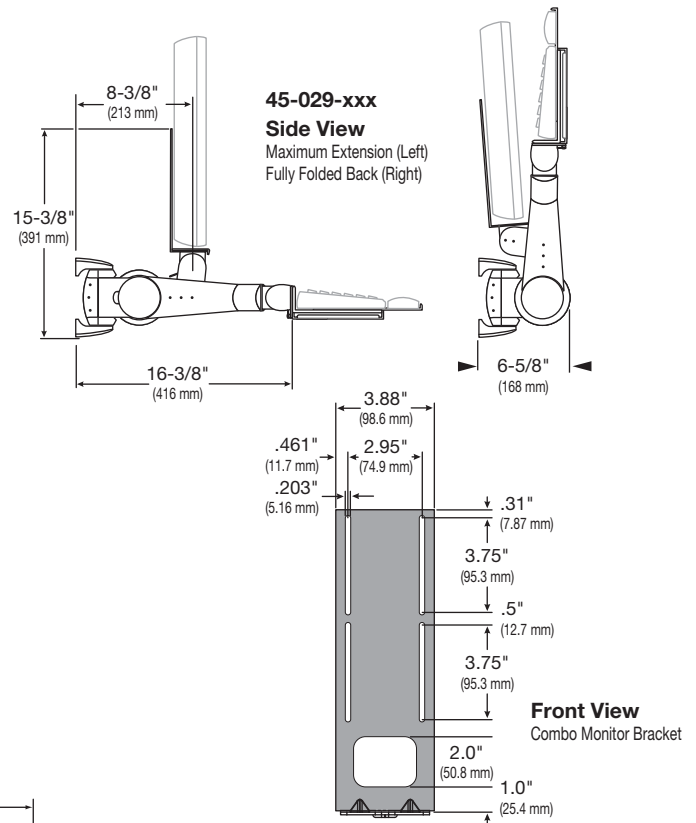
Vertical Mount Keyboard Arms



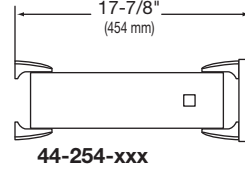
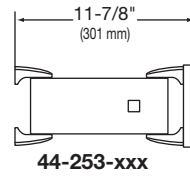
Suspend Mount Monitor Arm



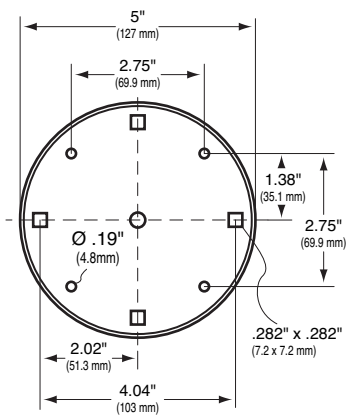
Vertical Mount Combo Arms



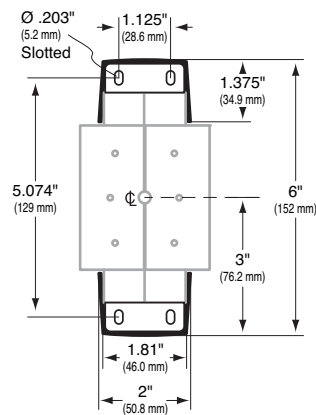
Extenders



Horizontal Mount Surface/ Suspend Arm Interface



Vertical Mount Rotate Arm Interface (includes Combo Rotate Arm)



Extender Hole Pattern

