

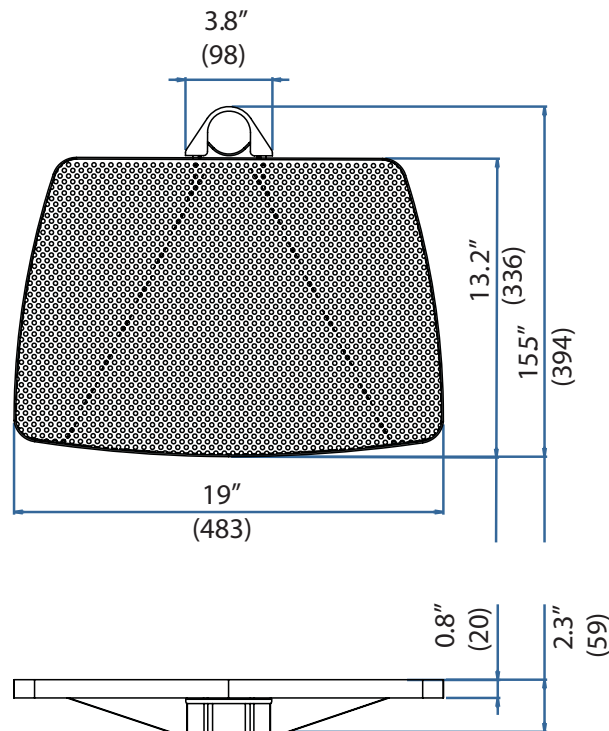
# Ergotron® Ceiling Mounts Series

Dimensional Illustrations

## NF Ceiling Mount Shelf



97-591



Metric Dimensions in Parentheses.

© 2011 Ergotron, Inc. rev. 03/17/2011 DIM-NF CMS Content is subject to change without notification

### Americas Sales and Corporate Headquarters

St. Paul, MN USA  
(800) 888-8458  
+1-651-681-7600  
www.ergotron.com  
sales@ergotron.com

### EMEA Sales

Amersfoort, The Netherlands  
+31 33 45 45 600  
www.ergotron.com  
info.eu@ergotron.com

### APAC Sales

Singapore  
www.ergotron.com  
info.apac@ergotron.com

### Worldwide OEM Sales

www.ergotron.com  
info.oem@ergotron.com

