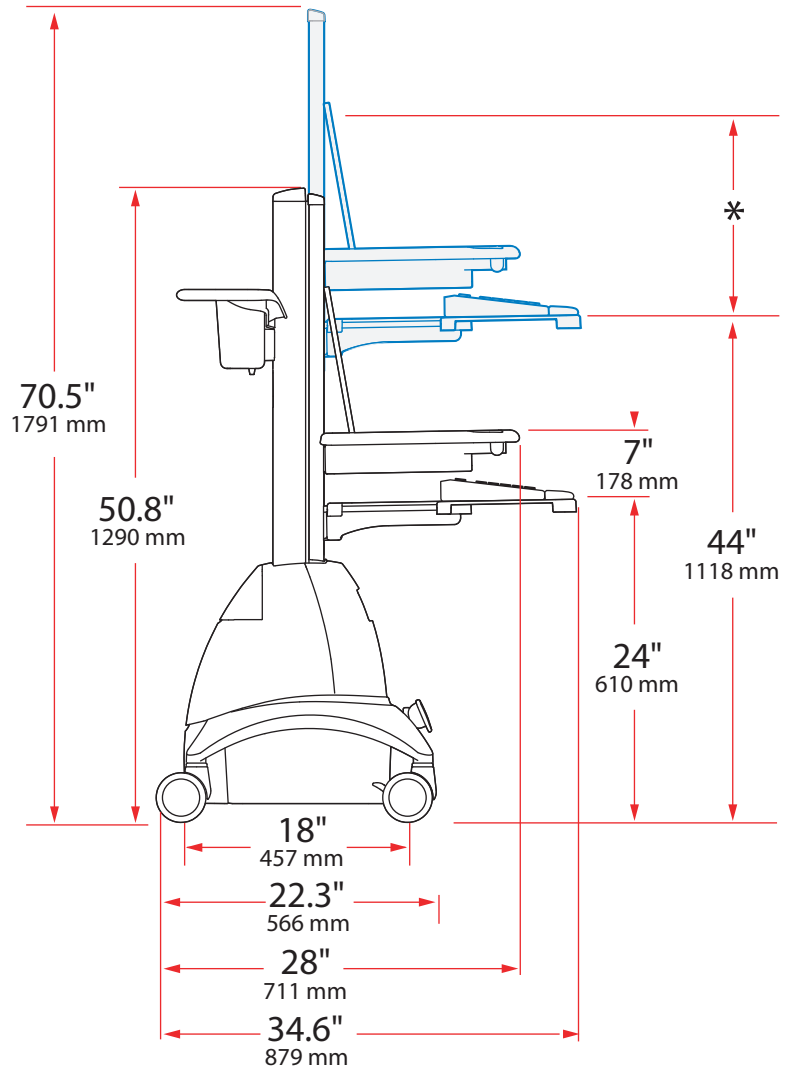
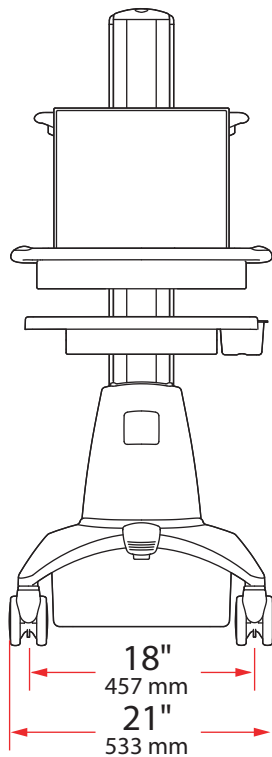


Notebook cart

* Recommended distance between top of keyboard tray and top of monitor screen is adjustable at time of installation



© 2006 Ergotron, Inc. Content is subject to change
rev. 02/28/2006 DIM-054-SVNB without notification.

Ergotron, Inc.: St. Paul, MN; (800) 888-8458;
www.ergotron.com; sales@ergotron.com

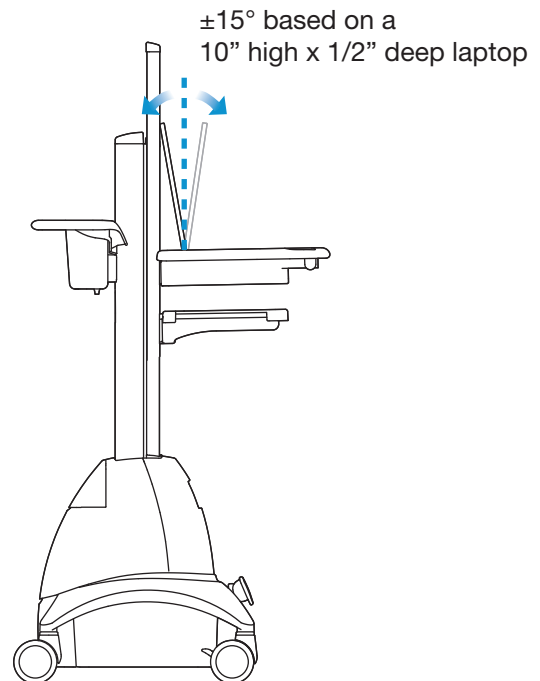
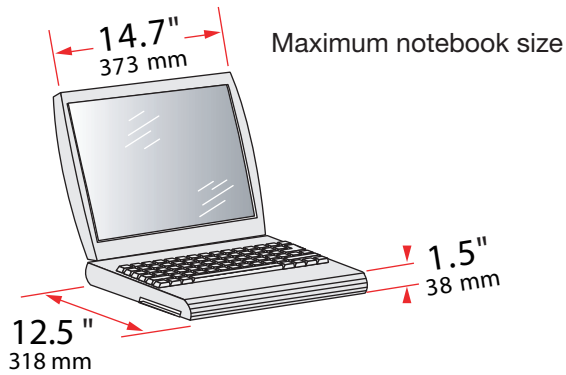
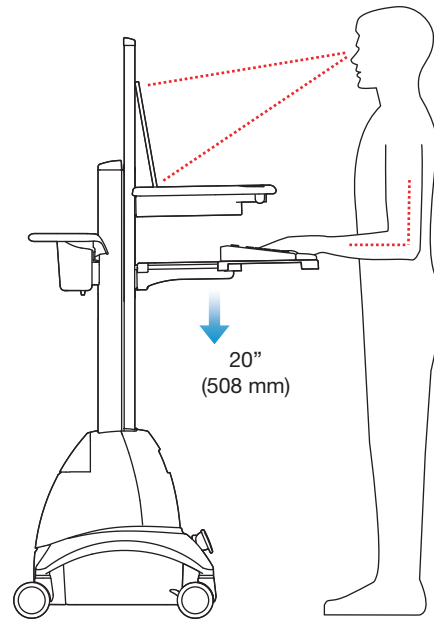
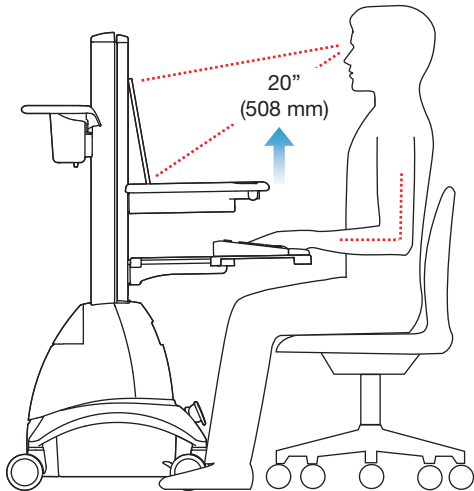
Ergotron Europe: Amsterdam, The Netherlands;
Tel. +31 20 312.29.39; info.eu@ergotron.com

Ergotron Asia: (800) 468-3917 ext. 7617;
info.apac@ergotron.com



20" (508 mm) height adjustment.

Notebook and worksurface move up/down as one unit.



© 2006 Ergotron, Inc. Content is subject to change
rev. 02/28/2006 DIM-054-SVNB without notification.

Ergotron, Inc.: St. Paul, MN; (800) 888-8458;
www.ergotron.com; sales@ergotron.com

Ergotron Europe: Amsterdam, The Netherlands;
Tel. +31 20 312.29.39; info.eu@ergotron.com

Ergotron Asia: (800) 468-3917 ext. 7617;
info.apac@ergotron.com

