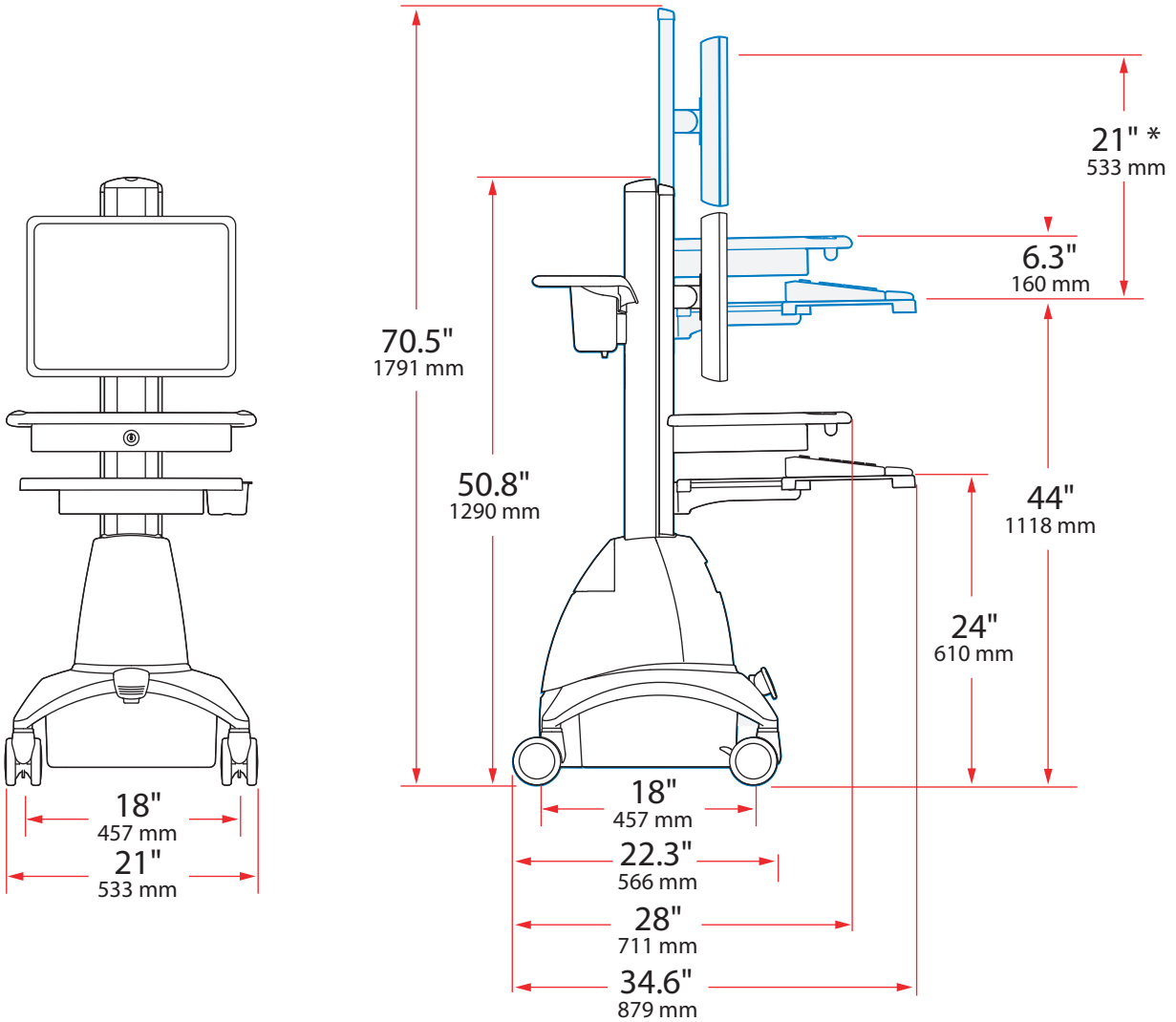


Ergotron® StyleView Cart

Dimensional Illustrations

LCD cart



* Recommended distance between top of keyboard tray and top of monitor screen is adjustable at time of installation

© 2006 Ergotron, Inc. Content is subject to change
rev. 02/28/2006 DIM-054-SVLCD without notification.

Ergotron, Inc.: St. Paul, MN; (800) 888-8458;
www.ergotron.com; sales@ergotron.com

Ergotron Europe: Amsterdam, The Netherlands;
Tel. +31 20 312.29.39; info.eu@ergotron.com

Ergotron Asia: (800) 468-3917 ext. 7617;
info.apac@ergotron.com



20" (508 mm) height adjustment.

Monitor and keyboard move up/down as one unit.

