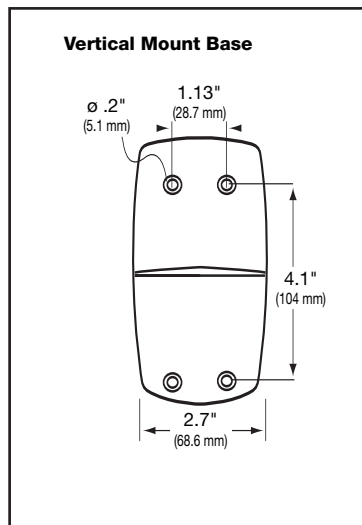
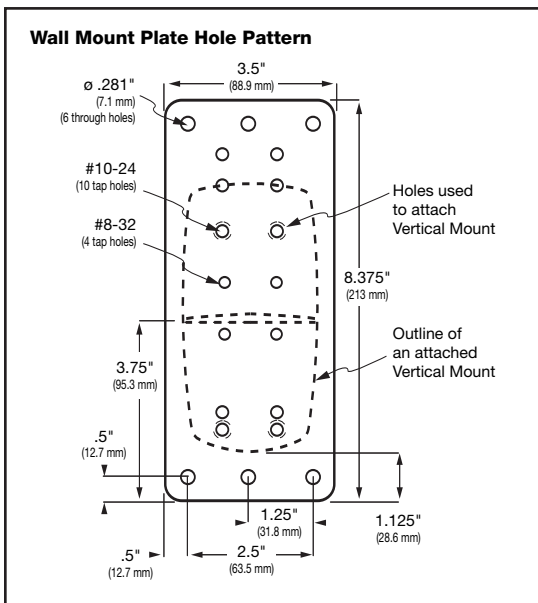
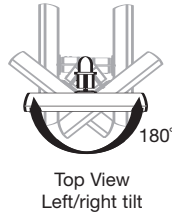
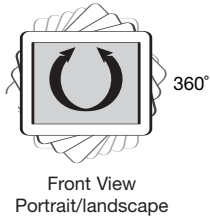
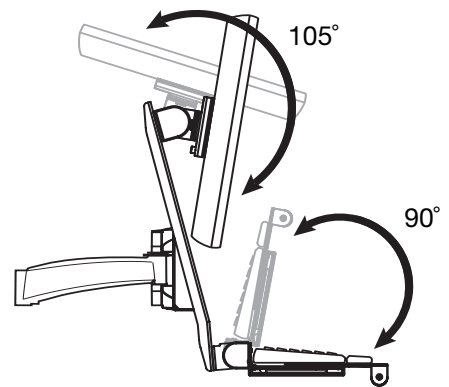
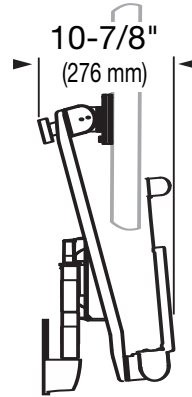
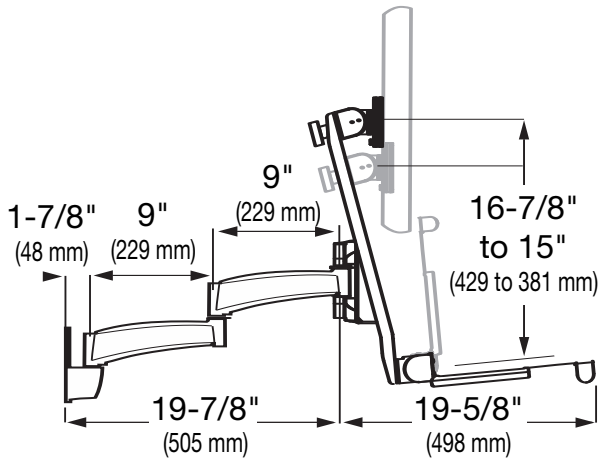


Ergotron® 200 Series

Dimensional Illustrations

combination flat panel/keyboard arm



© 2006 Ergotron, Inc. Content is subject to change
 rev. 02/28/2006 DIM-044 without notification.

Ergotron, Inc.: St. Paul, MN; (800) 888-8458;
 www.ergotron.com; sales@ergotron.com

Ergotron Europe: Amsterdam, The Netherlands;
 Tel. +31 20 312.29.39; info.eu@ergotron.com

Ergotron Asia: (800) 468-3917 ext. 7617;
 info.apac@ergotron.com

