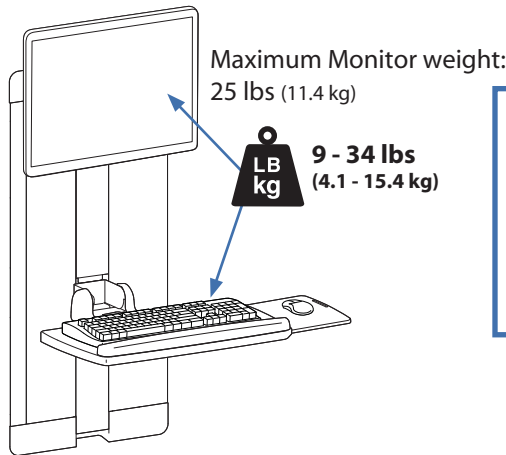
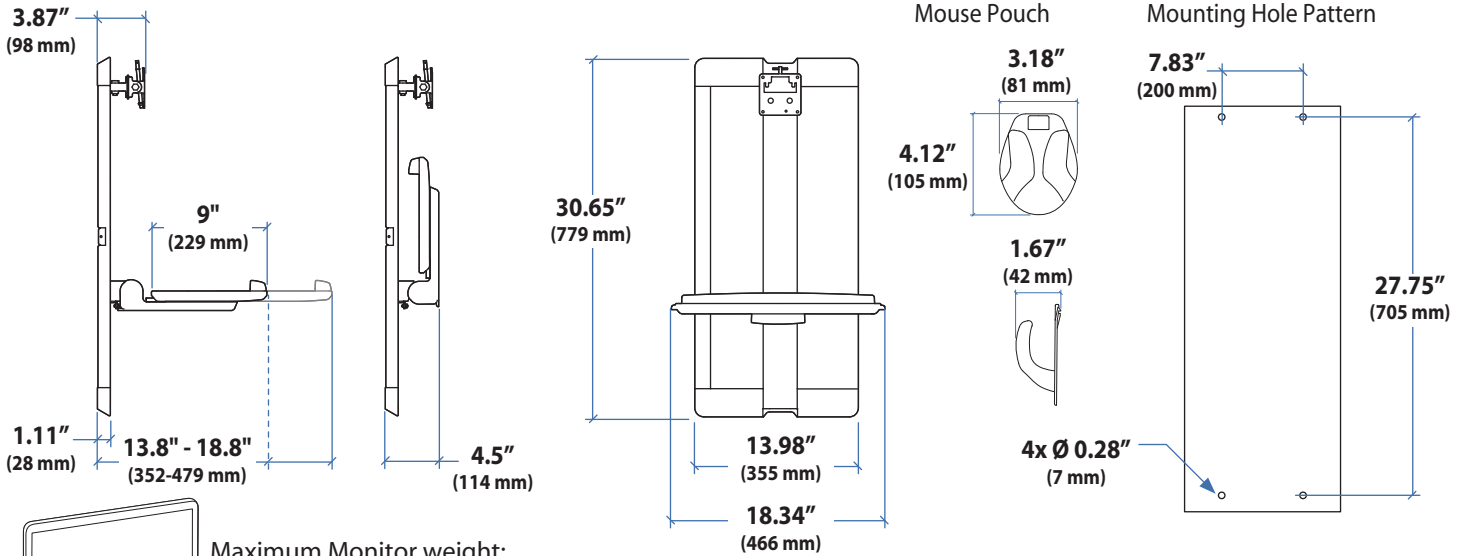


### Vertical Lift, Patient Room



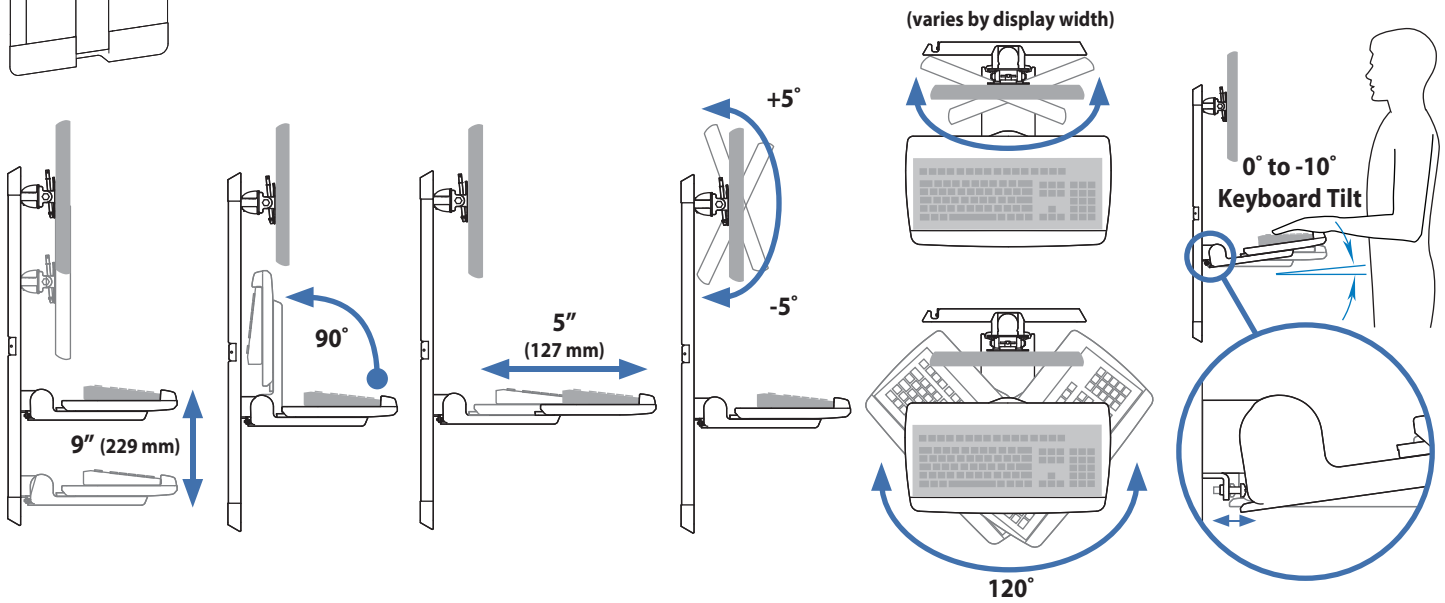
Centerline of Four-Hole VESA FDMI Pattern

Rear of Monitor

**Minimizing Vertical Lift Storage Profile**  
 For keyboard to fit under the monitor when in storage position, follow these guidelines:

1. Keyboard should not be more than 8-1/8" (206 mm) deep if using wrist rest, or 9-1/2" (mm) if no wrist rest is used.
2. Dimension "A" must be no greater than 6-5/8" (168 mm).

NOTE: Keyboard needs to attach to the lowest set of holes.



© 2010 Ergotron, Inc. rev. 02/25/10 DIM-033-SV Content is subject to change without notification

**Americas Sales and Corporate Headquarters**

St. Paul, MN USA  
 (800) 888-8458  
 +1-651-681-7600  
 www.ergotron.com  
 sales@ergotron.com

**EMEA Sales**

Amersfoort, The Netherlands  
 +31 33 45 45 600  
 www.ergotron.com  
 info.eu@ergotron.com

**APAC Sale**

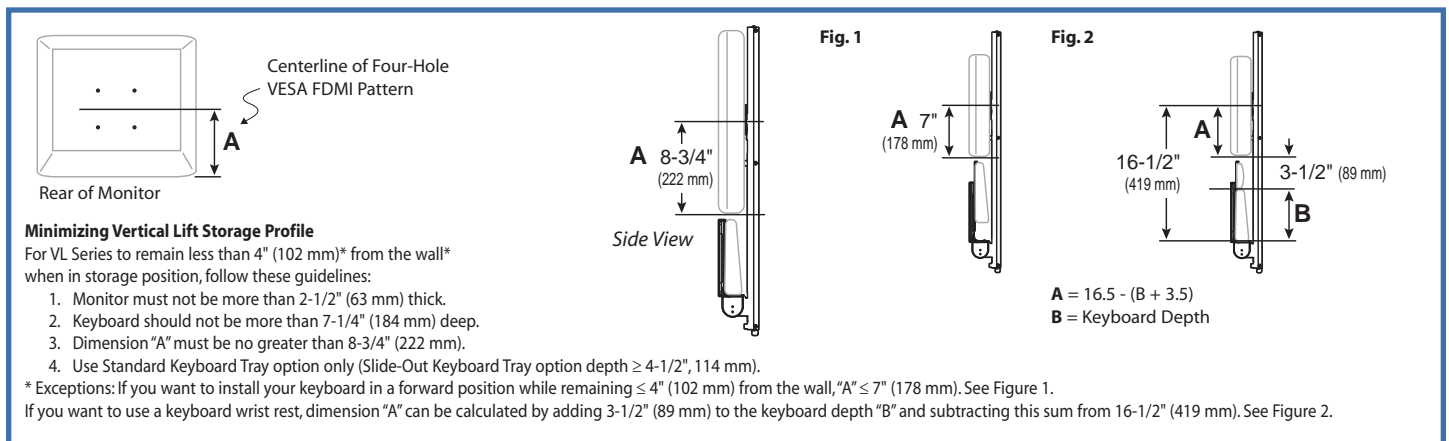
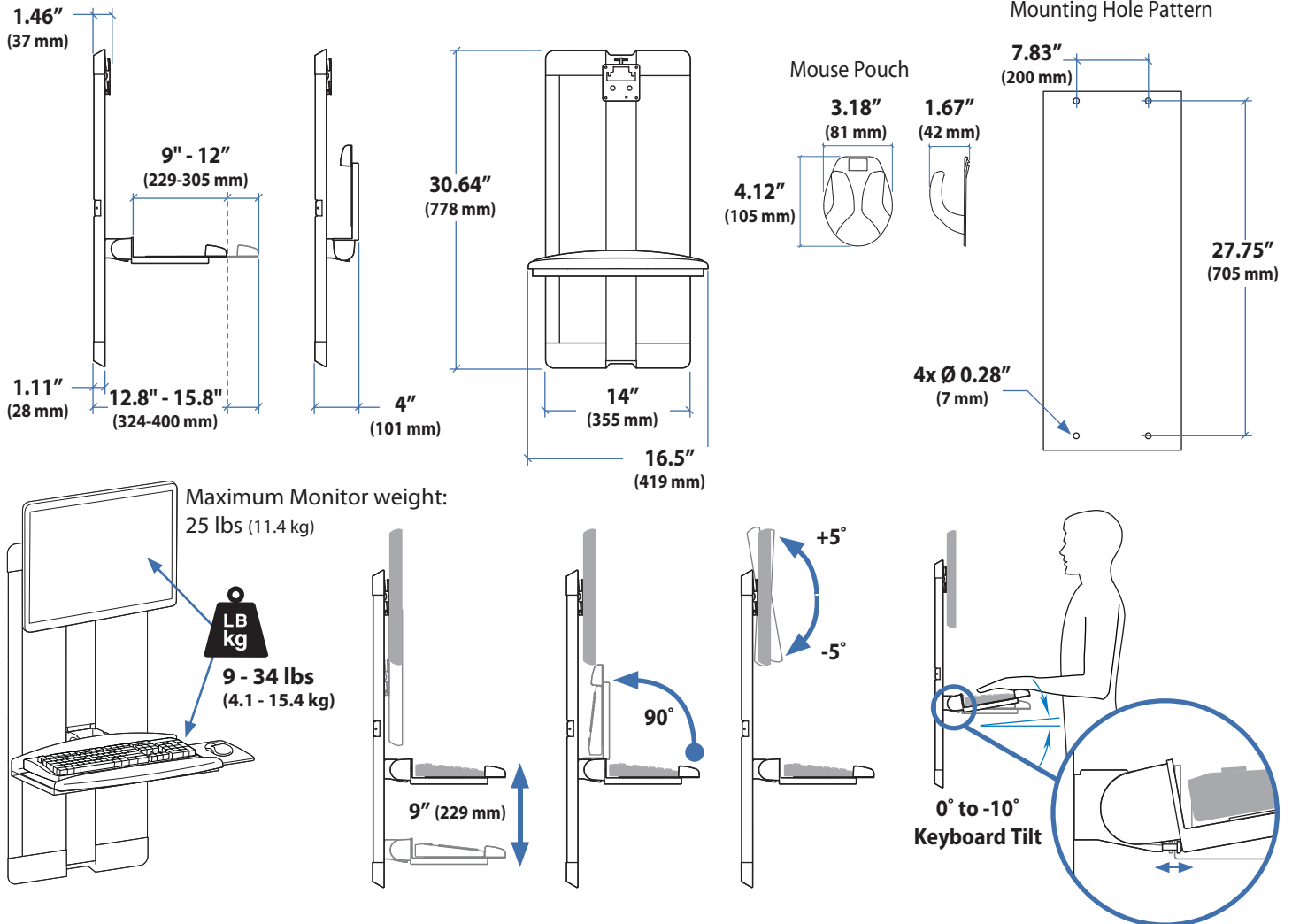
Tokyo, Japan  
 www.ergotron.com  
 apaccustomerservice@ergotron.com

**Worldwide OEM Sales**

www.ergotron.com  
 info.oem@ergotron.com



### Vertical Lift, High Traffic Areas



© 2010 Ergotron, Inc. rev. 02/25/10 DIM-033-SV Content is subject to change without notification

**Americas Sales and Corporate Headquarters**

St. Paul, MN USA  
(800) 888-8458  
+1-651-681-7600  
www.ergotron.com  
sales@ergotron.com

**EMEA Sales**

Amersfoort, The Netherlands  
+31 33 45 45 600  
www.ergotron.com  
info.eu@ergotron.com

**APAC Sale**

Tokyo, Japan  
www.ergotron.com  
apaccustomerservice@ergotron.com

**Worldwide OEM Sales**

www.ergotron.com  
info.oem@ergotron.com

